



## Safety sensor HS Si 4 2Ö - 5m

Material number: 1188998 (Material number old: 20470501)

### Features/Options:

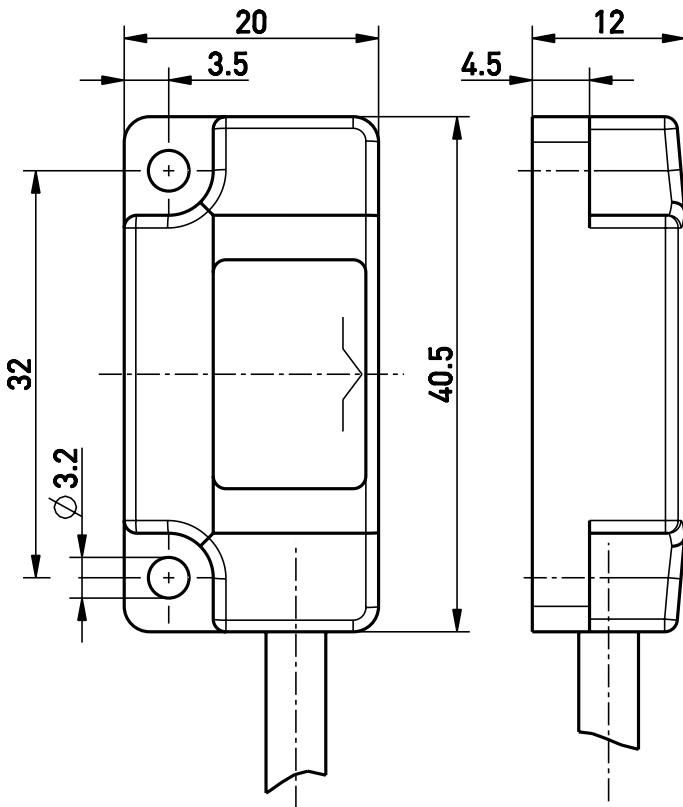
- Thermoplastic enclosure
- Long life
- High shock resistance
- Hall sensor 2 NC contacts

- Galvanically separated channels
- Switching distance up to 7 mm
- With pre-wired cable

### Notes

- The actuator is not included in the delivery of the switches

### Dimensions



### Technical data

Applied standards	EN 60947-5-2, EN 60947-5-3, EN ISO 13849-1, EN ISO 14119, EN 62061
Enclosure	thermoplastic, glass-fibre reinforced, impact resistant, self-extinguishing UL 94 V-0
Sensor type	type 4 interlocking device
Coding level	low coding
Degree of protection	IP 67 to IEC/EN 60529
Safety-relevant data:	
EN ISO 13849-1	Performance Level PL e
Category	4
$T_M$	max. 20 years
MTTF <sub>d</sub>	> 100 years
DC/DC <sub>avg</sub>	> 99 %
EN 62061	SIL CL 3
PFH <sub>d</sub>	$\geq 2.47 \times 10^{-8}$ 1/h
Note	The safety-related data are only valid in combination with a safety module, e.g. SRM 21 RT2 (mat. no. 1179203).
Switching system	Hall sensor, 2 galvanically separated channels, semiconductor
Switching elements	2 NC contacts
Connection	cable 6 x AWG 26
Cable length	5 m
Rated operating voltage $U_e$	24 VDC

Errors and omissions excepted.



## Safety sensor HS Si 4 2Ö - 5m

Material number: 1188998 (Material number old: 20470501)

### Technical data

Rated operating voltage range 10 ... 30 VDC  
 $U_B$

Rated operating current  $I_e$  max. 40 mA per channel

Utilisation category DC-12

No-load supply current  $I_0$  max. 6 mA per channel

Voltage drop at  $I_e$  max. 2.5 V

Switch-on/switch-off time < 1 ms

Attendance delay  $t_v$  < 100 ms

Short-circuit protection < 50 mA internal reversible fuse

Switching frequency max. 100 Hz

Safety class II

Degree of pollution 3

Ambient temperature -20 °C ... +70 °C

Storage and shipping temperature -40 °C ... +70 °C

Rated switching distance  $s_n$  7 mm

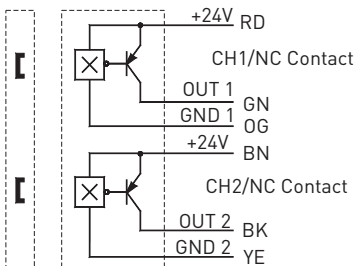
Assured switching distance  
»ON«  $s_{ao}$  6 mm

Assured switching distance  
»OFF«  $s_{ar}$  20 mm

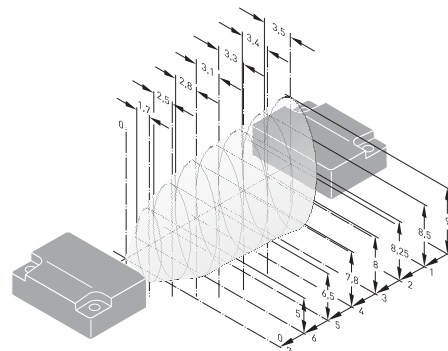
Repeatability ≤ 5 %

Weight 164 g

### Contact diagram



### Axial misalignment



Errors and omissions excepted.