



Pull-wire switch ZS 70 2Ö

Material number: 1180408 (Material number old: 70541001)

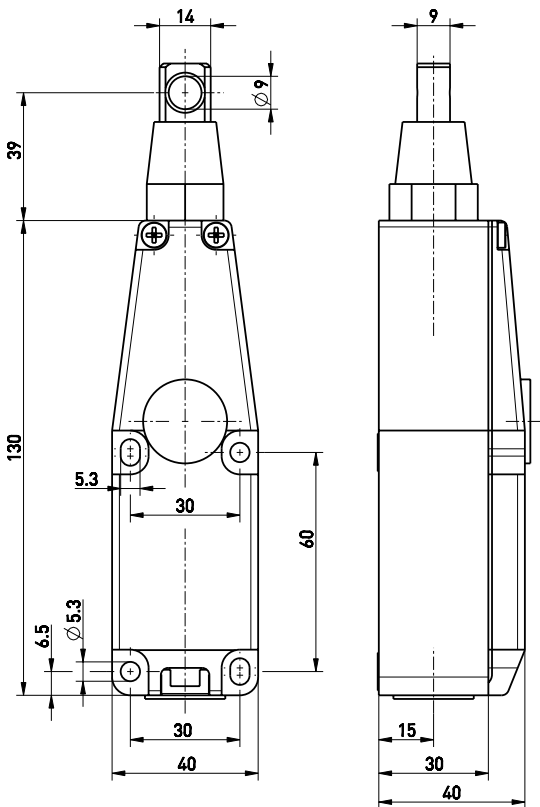
Features/Options:

- Thermoplastic enclosure
- 2 contacts
- Mounting details to EN 50041
- Compact design
- Wire length up to 10 m
- Wire pull and breakage detection
- Without mechanical latching

Notes

- At 2.5 m distance intermediate wire supports are required. One wire thimble is provided.

Dimensions



Technical data

Applied standards	EN ISO 13849-1, EN 60947-5-1
Enclosure	thermoplastic, glass-fibre reinforced, impact resistant, self-extinguishing UL 94 V-0
Cover	thermoplastic, glass-fibre reinforced, impact resistant, self-extinguishing UL 94 V-0
Degree of protection	IP 67 to IEC/EN 60529
B_{10d} (10 % load)	2 million
T_M	max. 20 years
Contact material	silver
Switching elements	2 NC contacts, type Zb
Switching system	snap action, positive break NC contacts \ominus
Connection	screw connection terminals
Cable cross-section	max. 2.5 mm ² (incl. conductor ferrules)
Cable entry	1 x M20 x 1.5
Rated impulse withstand voltage U_{imp}	6 kV
Rated insulation voltage U_i	400 V
Conventional thermal current I_{the}	6 A
Utilisation category	AC-15
Rated operating current/voltage I_e/U_e	6 A/400 VAC
Short-circuit protection	6 A gG/gN fuse
Ambient temperature	-25 °C ... +70 °C

Errors and omissions excepted.



Pull-wire switch ZS 70 2Ö

Material number: 1180408 (Material number old: 70541001)

Technical data

Mechanical life > 1 million operations

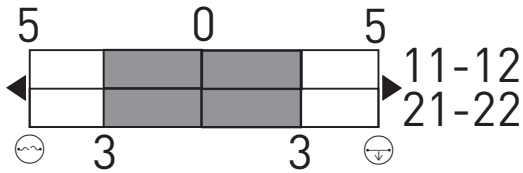
Max. wire length 10 m

Approvals



Weight 235 g

Switching diagram



- Wire breakage detection
- Wire pull detection

Contact diagram

