



Safety sensor Extreme RC Si M30 1Ö/1S - 10m - Niro - IP69 GL Extreme Material number: 1214627

Features/Options:

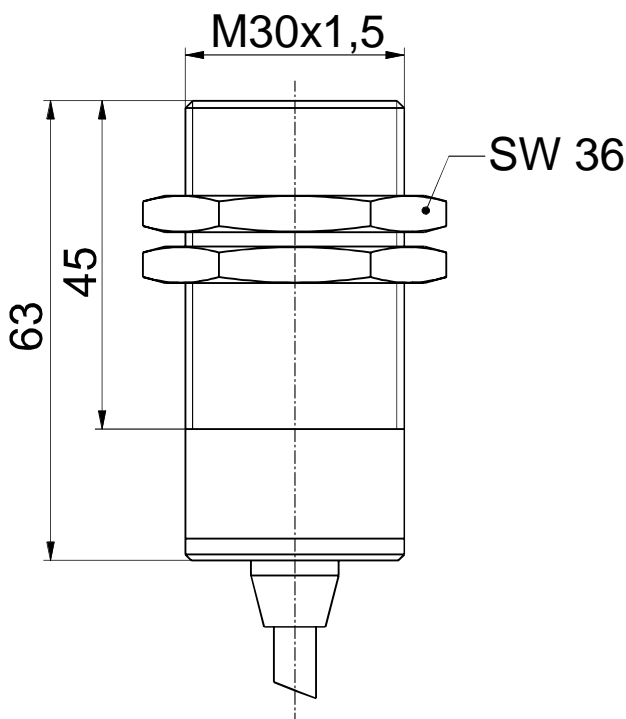
- Version with higher degree of protection IP 69: suitable for cleaning with 80 °C hot water at 100 bar pressure at a distance of 100 mm from different directions
- Stainless steel enclosure
- Long life
- Reed contacts, coded

- Actuation from front
- Switching distance up to 10 mm
- With pre-wired cable
- Maritime certification to DNV GL

Notes

- 2 mounting nuts are included in delivery
- The actuator is not included in the delivery of the switches

Dimensions



Technical data

Applied standards	EN ISO 13849-1, EN ISO 14119, EN 60947-5-2, EN 60947-5-3*
Enclosure	stainless steel 1.4539
Sensor type	type 4 interlocking device
Coding level	low coding
Tightening torque	mounting nut: max. 75 Nm
Degree of protection	IP 66, IP 67, IP 69 (IEC/EN 60529) / IP 69K (ISO 20653)
Safety-relevant data:	
EN ISO 13849-1	Performance Level PL e
Category	4
B _{10d} (10 % load)	20 million
T _M	max. 20 years
MTTF _d	> 100 years
DC/DC _{avg}	> 99 %
h _{op}	8 h/day
d _{op}	220 days/year
t _{zyklus}	20 s
Note	The safety-related data are only valid in combination with a safety module, e.g. SRM 21 RT2 (mat. no. 1179203).
Switching system	reed contacts
Switching elements	1 NC/1 NO contact

Errors and omissions excepted.



Safety sensor Extreme RC Si M30 1Ö/1S - 10m - Niro - IP69 GL Extreme Material number: 1214627

Technical data

Connection cable BETAflam 145 flex

Cable cross-section 4 x 0.5 mm²

Cable length 10 m

Switching voltage max. 30 VDC

Rated operating current/
voltage I_e/U_e max. 157 mA / 24 VDC

Utilisation category DC-12

Voltage drop at I_e max. 3.15 V

Short-circuit current I_k max. 750 mA for 50 ms

Switching frequency max. 5 Hz

Degree of pollution 3

Safety class II

Rated switching distance s_n 10 mm

Assured switching distance
»ON« s_{ao} 8 mm

Assured switching distance
»OFF« s_{ar} 30 mm

Repeatability ± 0.5 mm

Hysteresis approx. 14 mm

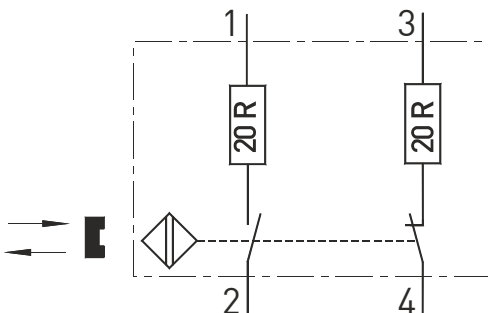
Ambient temperature -20 °C ... +85 °C

Mechanical life > 10 million operations

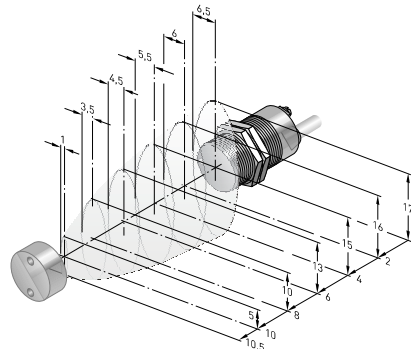
Approvals 

Weight 700 g

Contact diagram



Axial misalignment



Errors and omissions excepted.