



Foot switch with metal enclosure

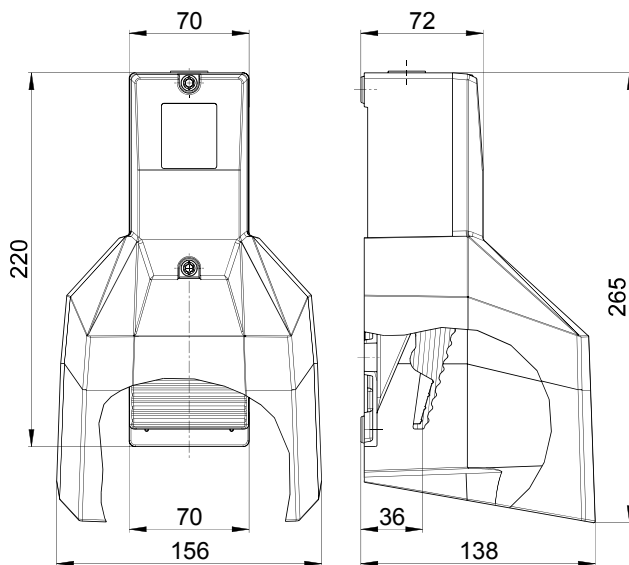
GFS HS 4-20 mA

Material number: 1048767 (Material number old: 81283003)

Features/Options:

- With Hall sensor: Analogue output
- Metal enclosure
- With protective shield
- Output value: 4 ... 20 mA
- Analogue output signal proportional to pedal travel
- High level of stability and low pedal height
- Wiring compartment

Dimensions



Technical data

| | |
|---|---|
| Applied standards | EN 60947-5-1 |
| Enclosure | aluminium die-cast, powder-coated |
| Pedal | thermoplastic, glass-fibre reinforced, impact resistant, self-extinguishing UL 94 V-0 |
| Protective shield | aluminium die-cast, powder-coated |
| Degree of protection | IP 65 to IEC/EN 60529 |
| Connection | screw connection terminals |
| Cable cross-section | max. 1.0 mm ² (incl. conductor ferrules) |
| Cable entry | 1 x M20 x 1.5 |
| Switching system | Hall sensor with analogue output |
| Output current I_a | 4...20 mA \pm 1 % |
| Rated operating current/voltage I_e/U_e | 45 mA/15 ... 30 VDC |
| Ambient temperature | -10 °C ... +70 °C |
| Mechanical life | > 1 million operations |
| Approvals | ERC |
| Weight | 1284 g |

Errors and omissions excepted.



Foot switch with metal enclosure

GFS HS 4-20 mA

Material number: 1048767 (Material number old: 81283003)

Contact diagram

