



Ex command device

Ex 14 RT-S-V2A 1Ö/1S - 1m

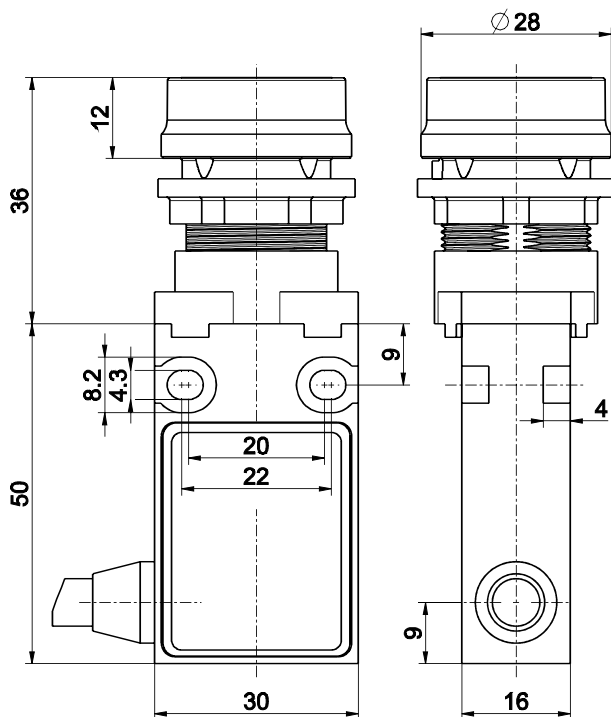
Material number: 1184161 (Material number old: 14055313)

Features/Options:

- Ex zone 1 and 21
- Double insulated
- Mounting hole diameter 22.5 mm
- With pre-wired cable

- Cable entry on side
- Actuator: Push button RT made of stainless steel (1.4404)
- Attention: Please state required international approvals with your order!

Dimensions



Technical data

Applied standards	EN 60947-5-1, EN ISO 13849-1, EN 60079-0, EN 60079-1, EN 60079-31
Enclosure	thermoplastic, glass-fibre reinforced, impact resistant, self-extinguishing UL 94 V-0
Degree of protection	IP 65 to IEC/EN 60529
Contact material	silver
Switching system	slow action, positive break NC contacts \ominus
Switching elements	1 NC/1 NO contact, type Zb
Connection	pre-wired cable H05VV-F
Cable cross-section	4 x 0.75 mm ²
Cable length	1 m
Rated impulse withstand voltage U_{imp}	4 kV
Rated insulation voltage U_i	250 V
Conventional thermal current I_{the}	T6: 6 A, T5: 3 A
Rated operating current/voltage I_e/U_e	6 A/250 VAC; 0.25 A/230 VDC
Utilisation category	AC-15; DC-13
Short-circuit protection	6 A gG/gN fuse
Ambient temperature	T6: -20 °C ... +65 °C, T5: -20 °C ... +75 °C, +90 °C with max. 3 A
Mechanical life	> 1 million operations
Operation cycles	max. 1800/h
Ex marking	Ex II 2G Ex db IIC T6/T5 Gb, Ex II 2D Ex tb IIIC T80 °C/T95 °C Db IECEX Ex db IIC T6/T5 Gb, Ex tb IIIC T80 °C/T95 °C Db

Errors and omissions excepted.



Ex command device

Ex 14 RT-S-V2A 1Ö/1S - 1m

Material number: 1184161 (Material number old: 14055313)

Technical data

Approvals

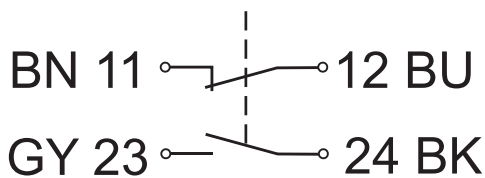
PTB 03 ATEX 1070 X
IECEX PTB 06.0098X



Weight

120 g

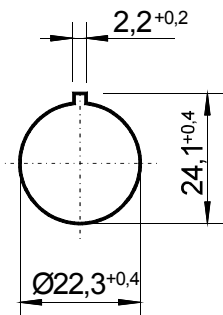
Contact diagram



Switching diagram



Cut out dimensions



Errors and omissions excepted.