



## Multi-function handle

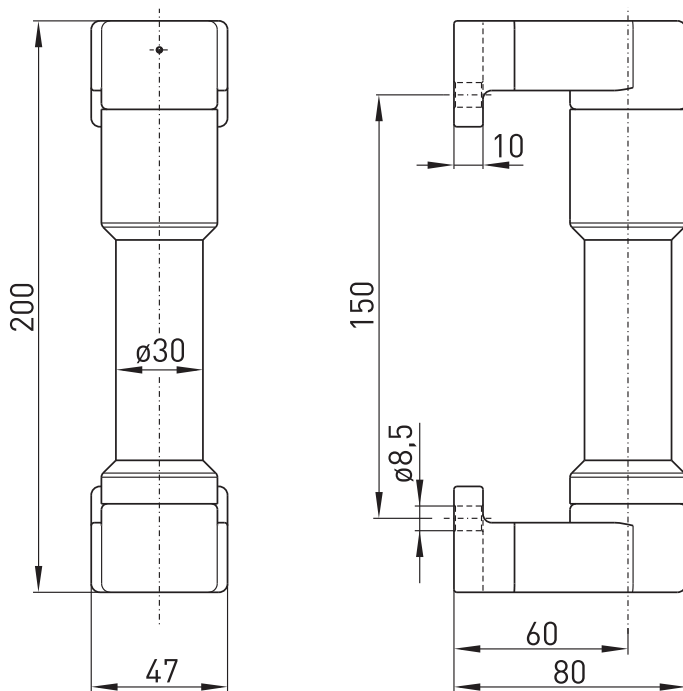
TG-x-150

Material number: 1053479 (Material number old: 97900901)

### Features/Options:

- Thermoplastic handle
- Door handle without electrical function
- Application on double doors
- Length: 200 mm

### Dimensions



### Technical data

Applied standards	EN 60947-5-1, with emergency-stop push button: EN 60947-5-5
Degree of protection	IP 65 to IEC/EN 60529
Connection	Plug-in connector, A-coded
Rated operating current/voltage $I_e/U_e$	Connector M12 x 1: 0.6 A/28 VDC Connector M23 x 1: 0.6 A/115 VAC LEDs: 10 mA/24 VDC
Rated insulation voltage $U_i$	Connector M12 x 1: 30 VDC Connector M23 x 1: 115 VAC
Degree of pollution	3
Mechanical life	> 1 million operations
Ambient temperature	-25 °C ... +55 °C
Weight	344 g