



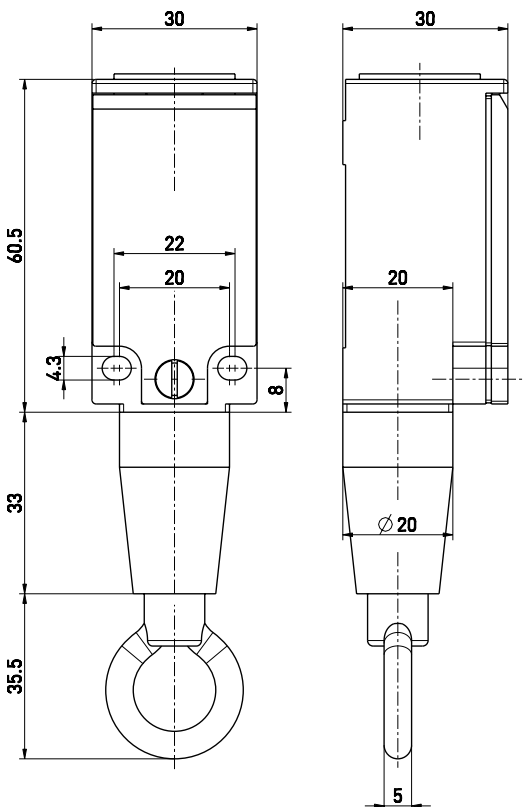
## Pull-wire switch ES 95 Z 1Ö/1S

Material number: 1179354 (Material number old: 95041001)


### Features/Options:

- Thermoplastic enclosure
- Wall mounting
- Slow action: 2 contacts
- Pull-wire function
- Mounting details to EN 50047
- Horizontally slotted mounting holes
- Double insulated 

### Dimensions



### Technical data

Applied standards	EN 60947-5-1
Enclosure	thermoplastic, glass-fibre reinforced, impact resistant, self-extinguishing UL 94 V-0
Tightening torque	enclosure mounting screws: 1.2 ... 1.3 Nm cover screws: max. 0.7 Nm
Degree of protection	IP 67 to IEC/EN 60529
Contact material	silver
Switching elements	1 NC/1 NO contact, type Zb
Switching system	slow action, positive break NC contacts 
Connection	screw connection terminals
Cable cross-section	max. 2.5 mm <sup>2</sup> (incl. conductor ferrules)
Cable entry	1 x M20 x 1.5
Rated impulse withstand voltage $U_{imp}$	4 kV
Rated insulation voltage $U_i$	400 V
Conventional thermal current $I_{the}$	6 A
Utilisation category	AC-15; DC-13
Rated operating current/voltage $I_e/U_e$	6 A/400 VAC; 0.25 A/230 VDC
Short-circuit protection	6 A gG/gN fuse
Mechanical life	> 1 million operations
Operation cycles	max. 1800/h
Ambient temperature	-20 °C ... +80 °C
Contact opening	max. 2 x 3.5 mm
Actuating force	20 N

Errors and omissions excepted.



## Pull-wire switch

ES 95 Z 1Ö/1S

Material number: 1179354 (Material number old: 95041001)

### Technical data

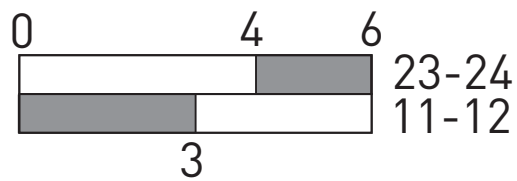
#### Approvals



#### Weight

130 g

### Switching diagram



### Contact diagram

