



Ex pull-wire switch

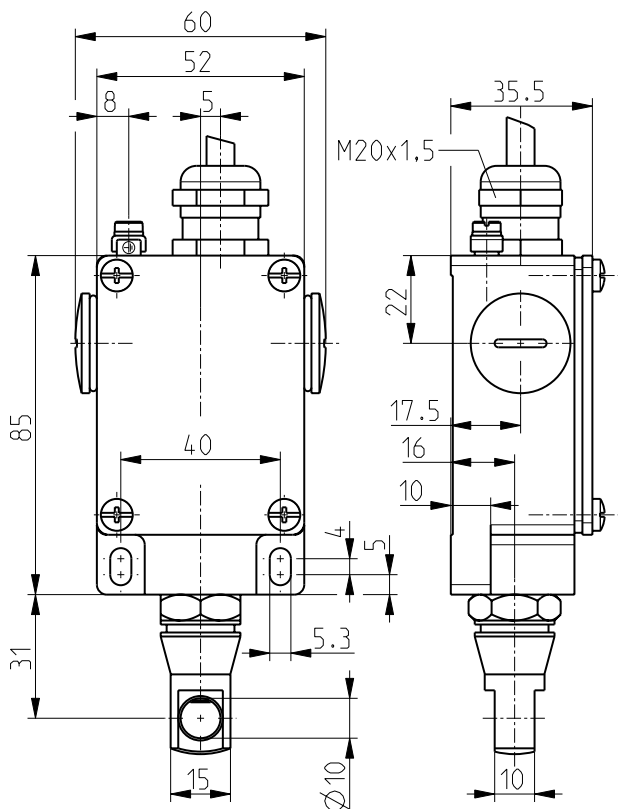
ExM 61 Z - 3m

Material number: 1047996 (Material number old: 61741902)

Features/Options:

- Ex zone 1 and 21
- Metal enclosure
- Wall mounting
- 2 contacts
- Pull-wire function
- Attention: Please state required international approvals with your order!

Dimensions



Technical data

Applied standards	EN 60947-5-1, EN 60079-0, EN 60079-1, EN 60079-31, EN ISO 13849-1
Enclosure	aluminium die-cast, powder-coated
Cover	steel, powder-coated
Degree of protection	IP 65 to IEC/EN 60529
B _{10d} (10 % load)	Ex 61 Z: 2 million
T _M	max. 20 years
Switch insert	1 x ExM 14
Contact material	silver
Switching system	snap action
Switching elements	1 change-over contact with single break, type C
Connection	pre-wired cable H05VV-F
Cable cross-section	3 x 0.75 mm ² (incl. conductor ferrules)
Cable length	3 m
Rated impulse withstand voltage U _{imp}	4 kV
Rated insulation voltage U _i	250 V
Conventional thermal current I _{the}	T6: 5 A
Rated operating current/voltage I _e /U _e	5 A/250 VAC; 0.16 A/230 VDC
Utilisation category	AC-15; DC-13
Short-circuit protection	6 A gG/gN fuse
Ambient temperature	-20 °C ... +60 °C
Mechanical life	> 1 million operations
Operation cycles	max. 1800/h

Errors and omissions excepted.



Ex pull-wire switch

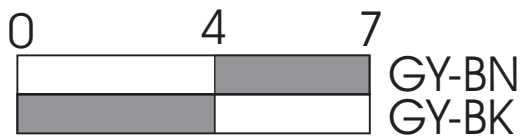
ExM 61 Z - 3m

Material number: 1047996 (Material number old: 61741902)

Technical data

Repeat accuracy of switching points	± 0.1 mm
Impact energy	max. 7 J
Ex marking	⊕ II 2G Ex d IIC T6 Gb, ⊕ II 2D Ex tb IIIC T80 °C Db IP65
Approvals	PTB 03 ATEX 1069 X * ERC * referring to the switch insert
Weight	570 g

Switching diagram



Errors and omissions excepted.