



Anti-two-block switch ZS 75 1Ö/1S W HES 130N Material number: 1399703

Features/Options:

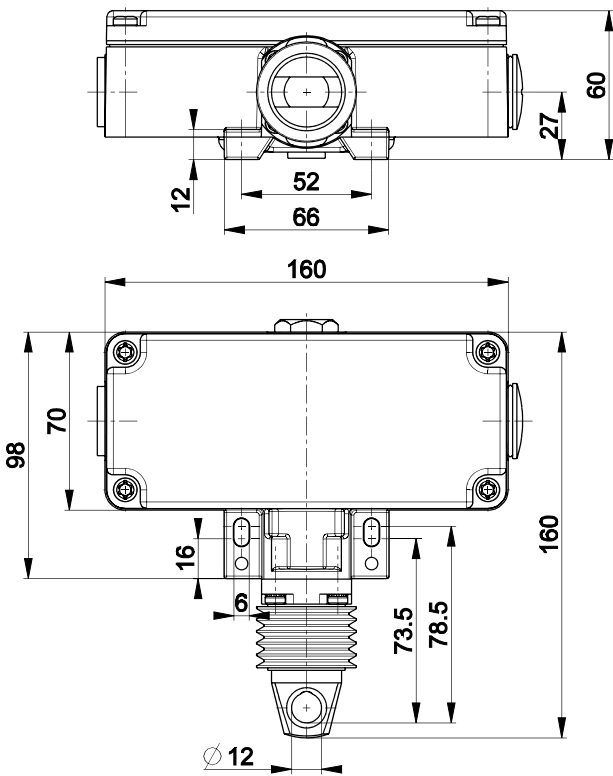
- Metal enclosure
- 2 contacts
- Watertight collar W for protection against penetration of dirt

Notes

- One wire thimble is provided.

- Tractive force 130 N (counterweight of min. 13 kg to pretension anti-two-block switch)
- For limiting the hoist height

Dimensions



Technical data

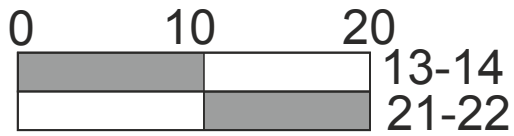
Applied standards	EN 60947-5-1
Enclosure	aluminium die-cast, powder-coated
Cover	aluminium die-cast, powder-coated
Degree of protection	IP 65 to IEC/EN 60529
B_{10d} (10 % load)	200 000
T_M	max. 20 years
Contact material	silver
Switching system	snap action
Switching elements	1 NC/1 NO contact, type Zb
Connection	screw connection terminals
Cable cross-section	max. 2.5 mm ² (incl. conductor ferrules)
Cable entry	1 x M25 x 1.5
Rated impulse withstand voltage U_{imp}	6 kV
Rated insulation voltage U_i	400 V
Conventional thermal current I_{the}	6 A
Utilisation category	AC-15
Rated operating current/voltage I_e/U_e	6 A/400 VAC
Short-circuit protection	6 A gG/gN fuse
Ambient temperature	-25 °C ... +70 °C
Mechanical life	> 100 000 operations
Weight	900 g

Errors and omissions excepted.

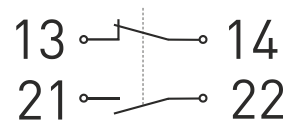


Anti-two-block switch
ZS 75 1Ö/1S W HES 130N
Material number: 1399703

Switching diagram



Contact diagram



Switching function:

At rest (switch not pulled) the switching contacts 13-14 are closed and 21-22 open;
on actuation (pull wire) the switching contacts 13-14 are open and 21-22 closed.