



Ex command device

Ex 14 RUV 2Ö-1m

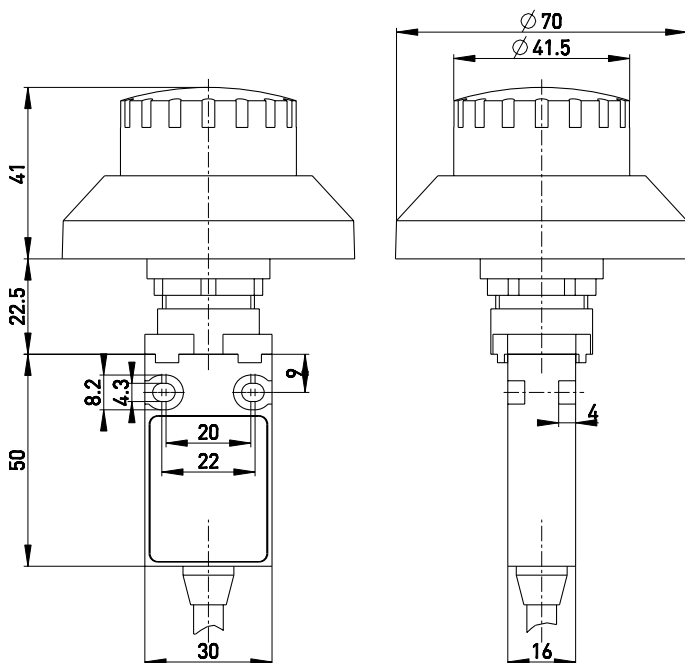
Material number: 1180200 (Material number old: 14559301)

Features/Options:

- Ex zone 1 and 21
- Double insulated
- Mounting hole diameter 22.5 mm
- With pre-wired cable
- Actuator: Emergency-stop push button RUV
- Actuator made of plastic

- Projection from front of panel 41 mm
- With collar to prevent blocking
- Reset by turning clockwise
- With pressure-point to protect against unintentional actuation
- Attention: Please state required international approvals with your order!

Dimensions



Technical data

| | |
|--|---|
| Applied standards | EN 60947-5-1, EN 60947-5-5, EN ISO 13849-1, EN ISO 13850, EN 60079-0, EN 60079-1, EN 60079-31 |
| Enclosure | thermoplastic, glass-fibre reinforced, impact resistant, self-extinguishing UL 94 V-0 |
| Degree of protection | IP 65 to IEC/EN 60529 |
| B _{10d} (10 % load) | 60 000 |
| T _M | max. 20 years |
| Contact material | silver |
| Switching system | slow action, positive break NC contacts \ominus |
| Switching elements | 2 NC contacts, type Zb |
| Connection | pre-wired cable H05VV-F |
| Cable cross-section | 4 x 0.75 mm ² |
| Cable length | 1 m |
| Rated impulse withstand voltage U _{imp} | 4 kV |
| Rated insulation voltage U _i | 250 V |
| Conventional thermal current I _{the} | T6: 6 A, T5: 3 A |
| Rated operating current/voltage I _e /U _e | 6 A/250 VAC; 0.25 A/230 VDC |
| Utilisation category | AC-15; DC-13 |
| Short-circuit protection | 6 A gG/gN fuse |
| Ambient temperature | T6: -20 °C ... +65 °C, T5: -20 °C ... +75 °C, +90 °C with max. 3 A |
| Mechanical life | > 30 000 operations |

Errors and omissions excepted.



Ex command device

Ex 14 RUV 2Ö-1m

Material number: 1180200 (Material number old: 14559301)

Technical data

Operation cycles max. 1800/h

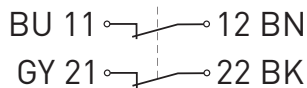
Ex marking
 II 2G Ex db IIC T6/T5 Gb,
 II 2D Ex tb IIIC
T80 °C/T95 °C Db
IECEX Ex db IIC T6/T5 Gb,
Ex tb IIIC T80 °C/T95 °C Db

Approvals
PTB 03 ATEX 1070 X
IECEX PTB 06.0098X

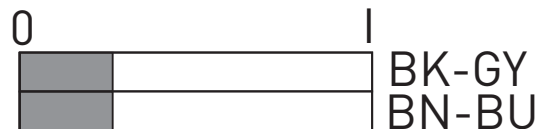


Weight 160 g

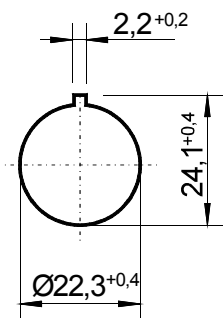
Contact diagram



Switching diagram



Cut out dimensions



Errors and omissions excepted.