



## Ex position switch Ex EM 97 TK-11 -60°C Material number: 1336295

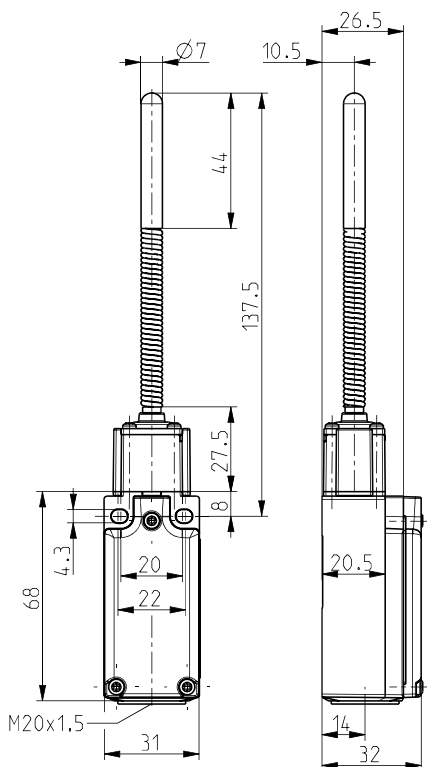
### Features/Options:

- Ex zone 1 and 21
- Thermoplastic enclosure
- Cold-resistant down to -60 °C
- High degree of protection IP 66 / IP 67 / IP 69
- Design to EN 50047

### Notes

- 1 Ex"e" cable gland M20x1.5 included in delivery

### Dimensions



### Technical data


|                      |  |
|----------------------|--|
| Applied standards    | EN 60947-5-1, EN 60079-0, EN 60079-1, EN 60079-7, EN 60079-31  |
| Enclosure            | thermoplastic, glass-fibre reinforced, impact resistant, self-extinguishing UL 94 V-0  |
| Cover                | thermoset, glass-fibre reinforced, impact resistant, self-extinguishing UL 94 V-0  |
| Sealing              | silicone   |
| Tightening torque    | cover screws: 0.4 ... 0.45 Nm<br>connecting thread of cable gland: max. 2 Nm<br>cap nut of cable gland: max. 5 Nm  |
| Degree of protection | IP 66 to EN 60079-0 + IEC/EN 60529 (... -60 °C)<br>IP 67 to EN 60079-0 + IEC/EN 60529 (... -20 °C)<br>IP 67 / IP 69 to IEC/EN 60529<br>IP 69K to ISO 20653                         |
| Switch insert        | 1 x 8080/1-2   |
| Contact material     | Silver, nickel-plated  |
| Switching system     | snap action  |
| Switching elements   | 1 NC/1 NO contact, type Zb   |
| Connection           | screw connection terminals   |
| Cable cross-section  | min. 0,75 mm <sup>2</sup> / AWG 18, max. 1,5 mm <sup>2</sup> / AWG 16, incl. conductor ferrules  |
| Cable entry          | M20 x 1,5; screwing depth max. 9 mm; use only Ex approved and certified cable glands with min. degree of protection IP 66 and suitable for the specified ambient temperature range |
| Clamping range       | 7 ... 12 mm  |

Errors and omissions excepted.

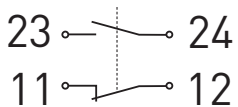


Ex position switch  
 Ex EM 97 TK-11 -60°C  
 Material number: 1336295

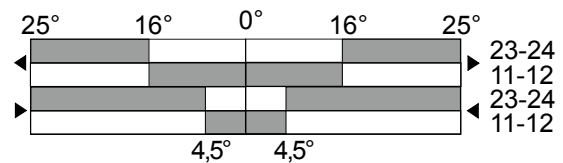
## Technical data

|                               |   |
|-------------------------------|---|
| Utilisation category          | AC-15   |
| Rated operating current $I_e$ | max. 2 A or 4 A <input type="checkbox"/>  |
| Rated operating voltage $U_e$ | max. 500 VAC, max. 250 VAC for unequal potential  |
| Degree of pollution           | 3   |
| Mechanical life               | > 1 million operations  |
| Impact energy                 | max. 7 J  |
| Temperature class             | T6  |
| Ambient temperature           | -60 °C ... +55 °C max. 4 A, +60 °C max. 2 A   |
| Short-circuit protection      | 2 A / 4 A gG/gN fuse  |
| Ex marking                    | <p>⊕ II 2G Ex db eb IIC T6 Gb,<br/>         ⊕ II 2D Ex tb IIIC T80 °C Db<br/>         IECEX Ex db eb IIC T6 Gb,<br/>         Ex tb IIIC T80 °C Db</p> |
| Approvals                     | <p>BVS 16 ATEX E 052<br/>         IECEX BVS 16.0052</p>          |
| Weight                        | 126 g   |

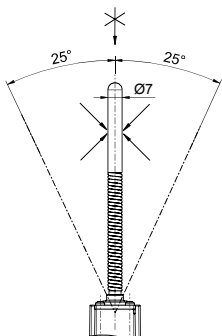
## Contact diagram



## Switching diagram



## Switching angle



Errors and omissions excepted.