



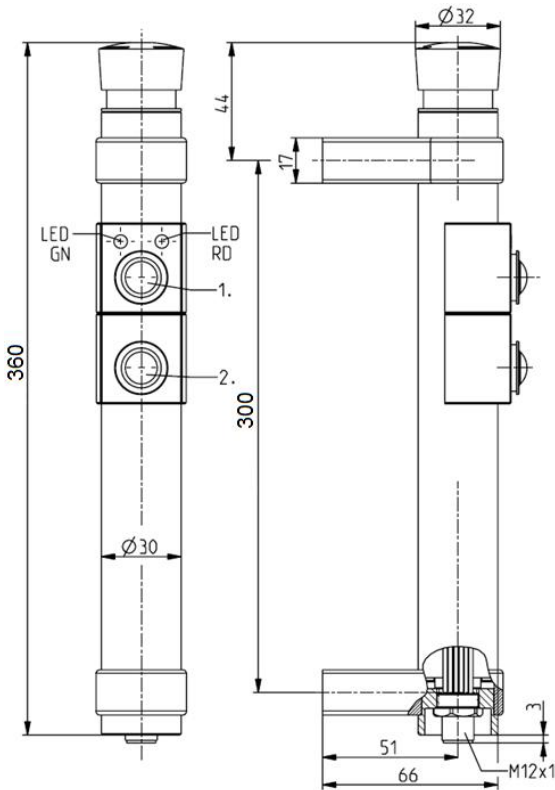
## Multi-function handle TGM-300-W GR 2Ö S Material number: 1309980

### Features/Options:

- Aluminium handle, silver matt anodised
- Long life
- Emergency-stop push button to EN 60947-5-5: 2-channel ☹
- 1st push button: Enabling push button: single break change-over contact

- Green and red LED
- 2nd push button: Start button: 1 NO contact
- With plug-in connector M12 x 1, 12-pole
- Collars (blue, red, green) are included in delivery

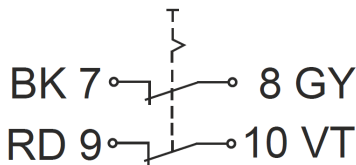
### Dimensions



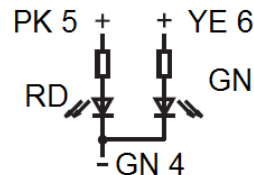
### Technical data

Applied standards	EN 60947-5-1, EN 60947-5-5
Enclosure	aluminium, anodised, silver matt
Degree of protection	IP 67 to IEC/EN 60529
B <sub>10d</sub> (10 % load)	100 000
T <sub>M</sub>	max. 20 years
Connection	Plug-in-connector M12 x 1, 12-poles
Rated operating current/ voltage I <sub>e</sub> /U <sub>e</sub>	0.5 A/24 VDC LEDs: 10 mA/24 VDC
Rated insulation voltage U <sub>i</sub>	30 VDC
Degree of pollution	3
Mechanical life	> 50 000 operations
Ambient temperature	-25 °C ... +55 °C

### Contact diagram emergency-stop push-button



### Contact diagram LEDs

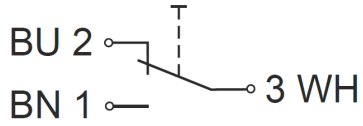


Errors and omissions excepted.

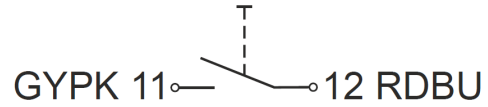


## Multi-function handle TGM-300-W GR 2Ö S Material number: 1309980

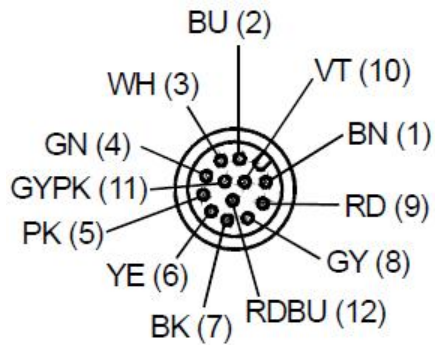
### Contact diagram enabling push-button



### Contact diagram start push-button



### Plug-in connector



Plug-in configuration (view from plug side)  
Plug-in connector M12 x 1, 12-pole