



## Pull-wire switch

ZS 73 1Ö/1S / 120-180 N

Material number: 1173003 (Material number old: 73141918)

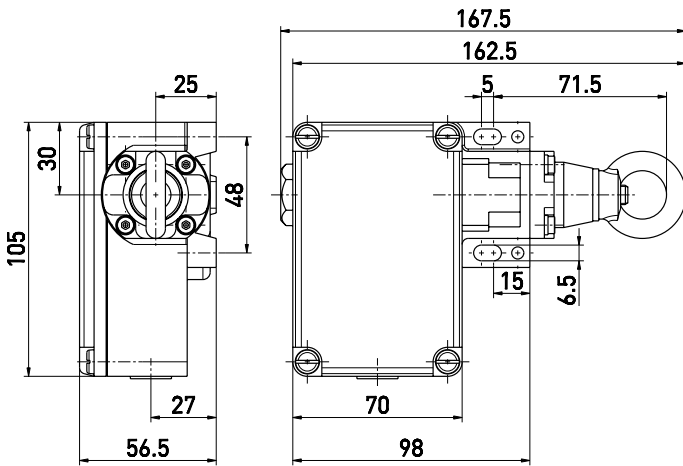
### Features/Options:

- Metal enclosure
- 2 contacts
- Wire length up to 130 m

### Notes

- At 5 m distance intermediate wire supports are required. One wire thimble is provided.

### Dimensions



### Technical data

Applied standards	EN ISO 13849-1, EN 60947-5-1
Enclosure	aluminium die-cast, enamel finish
Cover	thermoplastic, glass-fibre reinforced, impact resistant, self-extinguishing UL 94 V-0
Degree of protection	IP 54 to IEC/EN 60529
$B_{10d}$ (10 % load)	2 million
$T_M$	max. 20 years
Contact material	silver
Switching elements	1 NC/1 NO contact, type Zb
Switching system	snap action, positive break NC contacts $\ominus$
Connection	screw connection terminals
Cable cross-section	max. 2.5 mm <sup>2</sup> (incl. conductor ferrules)
Cable entry	1 x M16 x 1.5
Rated impulse withstand voltage $U_{imp}$	6 kV
Rated insulation voltage $U_i$	400 V
Conventional thermal current $I_{the}$	6 A
Conditional short-circuit current	1100 A
Utilisation category	AC-15
Rated operating current/voltage $I_g/U_g$	6 A/400 VAC
Short-circuit protection	6 A gG/gN fuse
Ambient temperature	-25 °C ... +70 °C

Errors and omissions excepted.



## Pull-wire switch

ZS 73 1Ö/1S / 120-180 N

Material number: 1173003 (Material number old: 73141918)

### Technical data

Mechanical life > 1 million operations

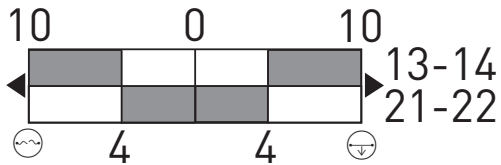
Max. wire length 130 m

Approvals



Weight 650 g

### Switching diagram



- Wire breakage detection
- Wire pull detection

### Contact diagram

