



Ex position switch

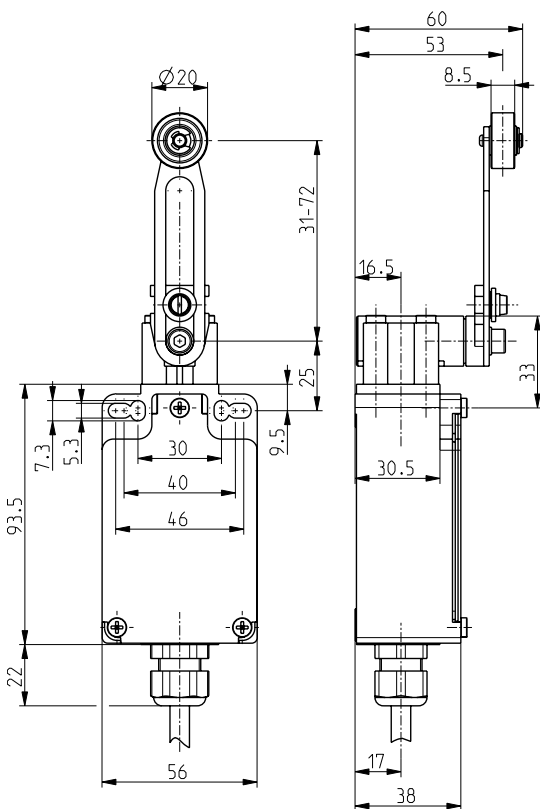
Ex T 356 4V7H 1Ö/1S-2m

Material number: 1173062 (Material number old: 96029302)

Features/Options:

- Ex zone 1 and 21
- Thermoplastic enclosure with metal cover
- Mounting and switching details to EN 50041
- Actuator: Adjustable rocking lever 4V7H
- Actuating speed max. 2.5 m/s with a vertical actuating angle of 30°
- Wear-resistant plastic roller
- Actuator can be repositioned by 4 x 90°
- Lever angle adjustable in 10° steps
- Attention: Please state required international approvals with your order!

Dimensions



Technical data

| | |
|---|---|
| Applied standards | EN 60947-5-1, EN 60079-0, EN 60079-1, EN 60079-31 |
| Enclosure | thermoplastic, glass-fibre reinforced, impact resistant, self-extinguishing UL 94 V-0 |
| Cover | steel, enamel finish |
| Degree of protection | IP 65 to IEC/EN 60529 |
| Switch insert | 1 x Ex 13 |
| Contact material | silver |
| Switching system | slow action |
| Switching elements | 1 NC/1 NO contact, type Zb |
| Connection | pre-wired cable H05VV-F |
| Cable cross-section | 4 x 0.75 mm ² (incl. conductor ferrules) |
| Cable length | 2 m |
| Rated impulse withstand voltage U_{imp} | 4 kV |
| Rated insulation voltage U_i | 250 V |
| Conventional thermal current I_{the} | T6: 6 A, T5: 3 A |
| Rated operating current/voltage I_e/U_e | 6 A/250 VAC; 0.25 A/230 VDC |
| Utilisation category | AC-15; DC-13 |
| Short-circuit protection | 6 A gG/gN fuse |
| Ambient temperature | T6: -20 °C ... +65 °C, T5: -20 °C ... +75 °C, +90 °C with max. 3 A |
| Mechanical life | > 1 million operations |
| Operation cycles | max. 1800/h |

Errors and omissions excepted.



Ex position switch

Ex T 356 4V7H 1Ö/1S-2m

Material number: 1173062 (Material number old: 96029302)

Technical data

Repeat accuracy of switching points ± 0.1 mm

Contact opening max. 2 x 4.5 mm

Impact energy max. 7 J

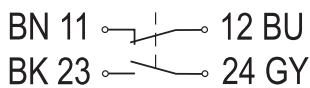
Ex marking II 2G Ex db IIC T6/T5 Gb,
 II 2D Ex tb IIIC
T80 °C/T95 °C Db
IECEX Ex db IIC T6/T5 Gb,
Ex tb IIIC T80 °C/T95 °C Db

Approvals PTB 03 ATEX 1068 X *
IECEX PTB 06.0053X *

us* referring to the switch insert

Weight 432 g

Contact diagram



Switching diagram

