



Position switch with safety function

ES 98 H-11

Material number: 1190317 (Material number old: 9100130001)

Features/Options:

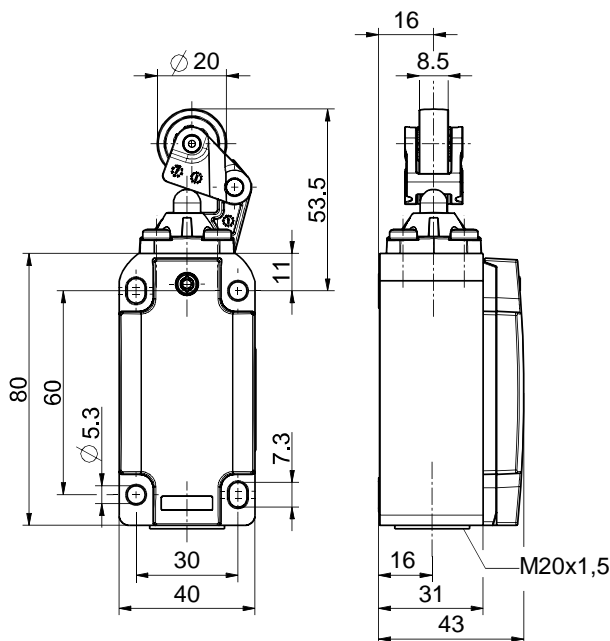
- Metal enclosure
- Design to EN 50041
- Slow action \ominus , change-over contact with double break
- Actuator: Roller lever H

- Actuating speed max. 0.5 m/s with an actuating angle of 30°
- Actuation parallel to switch from right
- Wear-resistant plastic roller
- Actuator can be repositioned by 4 x 90°

Notes

- Actuation from the left should be avoided since this reduces the mechanical life of the position switch.

Dimensions



Technical data

| | |
|----------------------------------------------------------------|-----------------------------------------------------|
| Applied standards | EN ISO 13849-1, EN 60947-5-1, EN ISO 14119 |
| Enclosure | aluminium die-cast, powder-coated |
| Switch type | type 1 |
| Coding level | no coding |
| Degree of protection | IP 67 to IEC/EN 60529 |
| B _{10d} (10 % load) | 2 million |
| T _M | max. 20 years |
| Contact material | silver |
| Switching system | slow action, positive break NC contacts \ominus |
| Switching elements | 1 NC/1 NO contact, type Zb |
| Connection | screw connection terminals |
| Cable cross-section | max. 2.5 mm ² (incl. conductor ferrules) |
| Cable entry | 1 x M20 x 1.5 |
| Rated impulse withstand voltage U _{imp} | 4 kV |
| Rated insulation voltage U _i | 400 V |
| Conventional thermal current I _{the} | 6 A |
| Rated operating current/voltage I _e /U _e | 6 A/250 VAC; 0.25 A/230 VDC; 3 A/24 VDC; 5 A/5 VDC |
| Utilisation category | AC-15; DC-13 |
| Short-circuit protection | 6 A gG/gN fuse |
| Mechanical life | > 1 million operations |

Errors and omissions excepted.

