

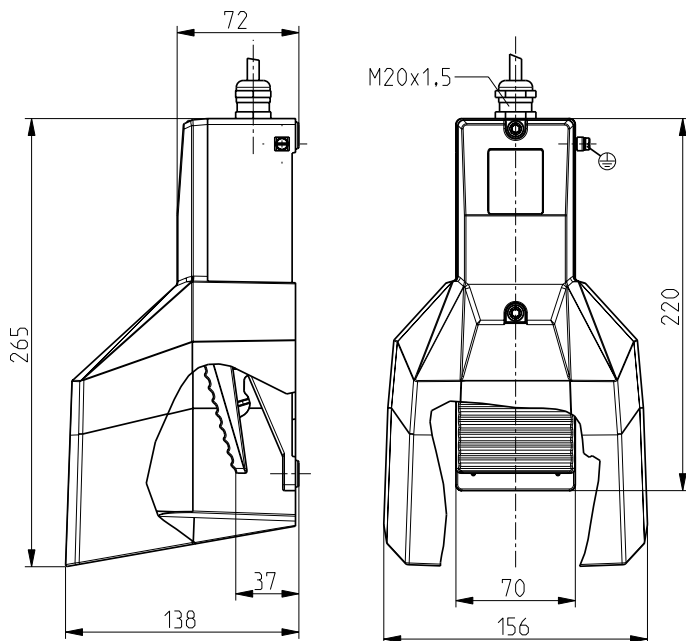


Ex foot switch Ex GFSM 1Ö/1S - 3m Material number: 1283481

Features/Options:

- Ex zone 1 and 21
- 1-pedal type
- Metal enclosure
- With protective shield

Dimensions



Technical data


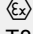
Applied standards	EN 60947-5-1, EN 60079-0, EN 60079-1, EN 60079-31, EN ISO 13849-1
Enclosure	aluminium die-cast, powder-coated
Pedal	thermoplastic, glass-fibre reinforced, impact resistant, self-extinguishing UL 94 V-0
Protective shield	aluminium die-cast, powder-coated
Degree of protection	IP 65 to IEC/EN 60529
B _{10d} (10 % load)	Ex GFS: 2 million
T _M	Ex GFS: max. 20 years
Connection	pre-wired cable H05VV-F
Cable cross-section	4 x 0.75 mm ² (incl. conductor ferrules)
Cable length	3 m
Contact material	silver
Switching system	snap action
Switching elements	1 NC/1 NO contact, type Za
Switch insert	1 x ExM 14 1Ö/1S
Utilisation category	AC-15; DC-13
Rated operating current/voltage I _e /U _e	5 A/250 VAC; 0.2 A/230 VDC
Short-circuit protection	5 A gG/gN fuse
Ambient temperature	T6: -20 °C ... +60 °C, T5: -20 °C ... +75 °C
Mechanical life	> 1 million operations
Impact energy	max. 7 J

Errors and omissions excepted.



Ex foot switch
Ex GFSM 1Ö/1S - 3m
Material number: 1283481

Technical data

Ex marking	 II 2G Ex d IIC T6/T5 Gb,  II 2D Ex tb IIIC T80 °C/T95 °C Db IP65 IECEX Ex d IIC T6/T5 Gb, Ex tb IIIC T80 °C/T95 °C Db IP65
------------	---

Approvals	PTB 11 ATEX 1002 X IECEX PTB 11.0090X
-----------	--



Weight	1540 g
--------	--------

Contact diagram

