



Emergency pull-wire switch Extreme ZS 80 3Ö/1S WVD KST IP67 Niro w/o NA Extreme Material number: 1189698 (Material number old: 72942922)

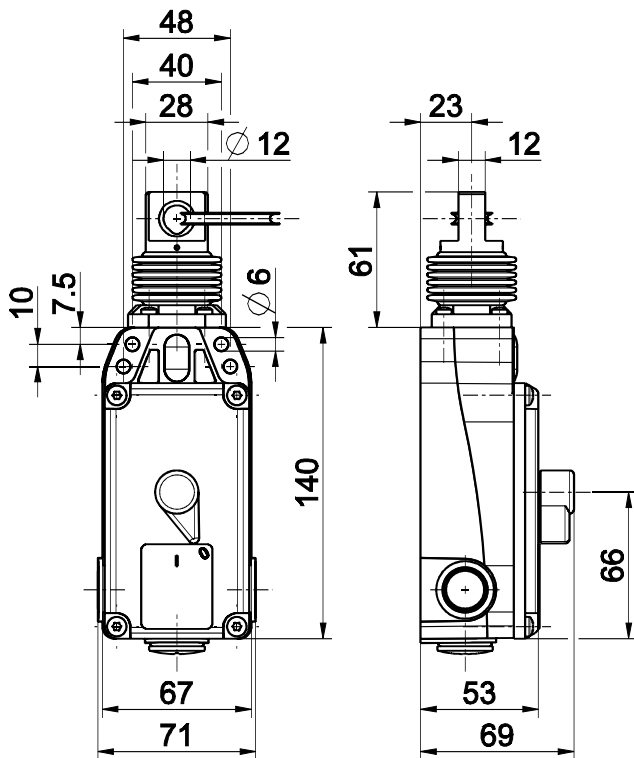
Features/Options:

- Pull-wire unit and screws made of stainless steel (NIRO)
- High degree of protection IP 67
- Thermoplastic enclosure
- 4 contacts
- Position indicator
- Wire length up to 100 m
- Spring force variant: 100 N
- Lever for release and position indication
- Watertight collar
- Wire pull and breakage detection
- Attention: Please state required international approvals with your order!

Notes

- 1 blanking plug M20x1.5 is included in delivery
- At 5 m distance intermediate wire supports are required. One wire thimble is provided.

Dimensions



Technical data

Applied standards	EN 60947-5-1, EN 60947-5-5, EN ISO 13850, EN ISO 13849-1
Enclosure	thermoplastic, glass-fibre reinforced, impact resistant, self-extinguishing UL 94 V-0
Cover	thermoplastic, glass-fibre reinforced, impact resistant, self-extinguishing UL 94 V-0
Degree of protection	IP 67 to IEC/EN 60529
B _{10d} (10 % load)	200 000
T _M	max. 20 years
Contact material	silver
Switching elements	3 NC/1 NO contacts, type Zb
Switching system	slow action, positive break NC contacts \ominus
Connection	2 x 4 pole terminal block
Cable cross-section	max. 2.5 mm ² (incl. conductor ferrules)
Cable entry	3 x M20 x 1.5 (press-out blanks in enclosure)
Rated impulse withstand voltage U _{imp}	2.5 kV
Rated insulation voltage U _i	250 V
Conventional thermal current I _{the}	2 A
Utilisation category	AC-15; DC-13
Rated operating current/voltage I _e /U _e	2 A/250 VAC; 0.25 A/230 VDC; 2 A/24 VDC

Errors and omissions excepted.



Emergency pull-wire switch Extreme
 ZS 80 3Ö/1S WVD KST IP67 Niro w/o NA Extreme
 Material number: 1189698 (Material number old: 72942922)

Technical data

Short-circuit protection 2 A gG/gN fuse

Ambient temperature -25 °C ... +70 °C

Mechanical life > 100 000 operations

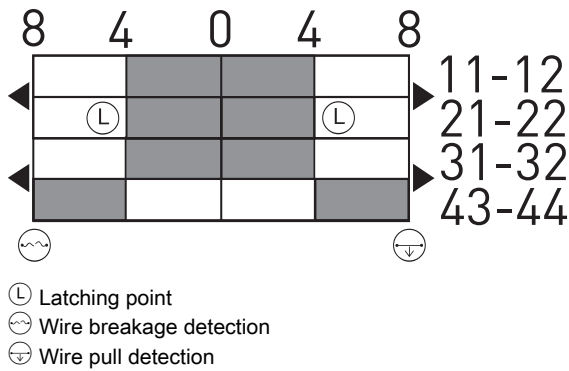
Max. wire length 100 m

Approvals



Weight 525 g

Switching diagram



Contact diagram

