



## Position switch EM 41 H 1Ö/1S

Material number: 1046392 (Material number old: 41113001)

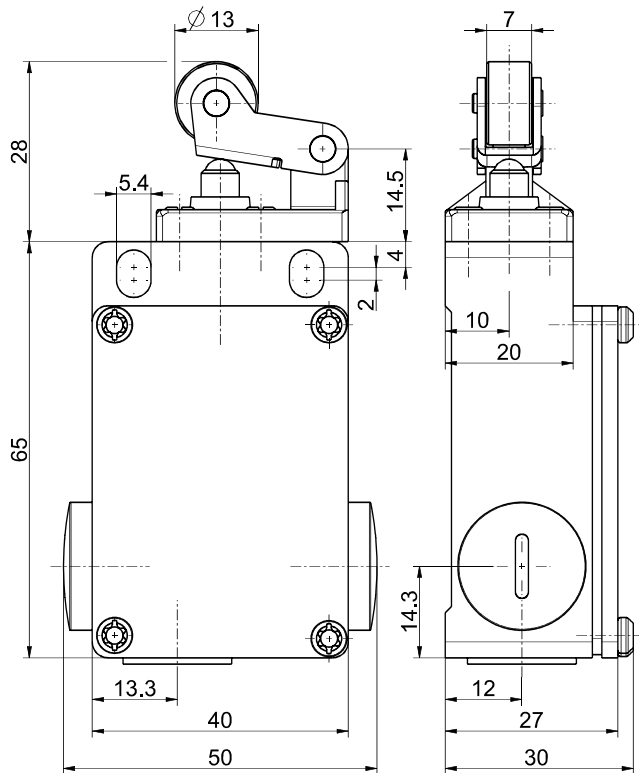
### Features/Options:

- Metal enclosure
- Snap action, change-over contact with double break
- 3 cable entries M16 x 1.5
- Actuator: Roller lever H
- Actuating speed max. 0.5 m/s with a vertical actuating angle of  $\alpha = 40^\circ$  and  $\beta = 25^\circ$
- Wear-resistant plastic roller
- Actuator can be repositioned by 4 x 90°

### Notes

- Actuation from the left should be avoided since this reduces the mechanical life of the position switch.
- With metal roller available on request

### Dimensions



### Technical data

Applied standards	EN 60947-5-1
Enclosure	aluminium die-cast, powder-coated
Degree of protection	IP 65 to IEC/EN 60529
Contact material	silver
Switching system	snap action
Switching elements	1 NC/1 NO contact, type Zb
Connection	screw connection terminals
Cable cross-section	max. 2.5 mm <sup>2</sup> (incl. conductor ferrules)
Cable entry	3 x M16 x 1.5
Rated impulse withstand voltage $U_{imp}$	4 kV
Rated insulation voltage $U_i$	400 V
Conventional thermal current $I_{the}$	6 A
Utilisation category	AC-15
Rated operating current/voltage $I_e/U_e$	6 A/400 VAC
Short-circuit protection	6 A gG/gN fuse
Mechanical life	> 1 million operations
Operation cycles	max. 3600/h
Ambient temperature	-20 °C ... +80 °C
Repeat accuracy of switching points	± 0.1 mm

### Approvals



Errors and omissions excepted.



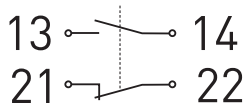
## Position switch EM 41 H 1Ö/1S

Material number: 1046392 (Material number old: 41113001)

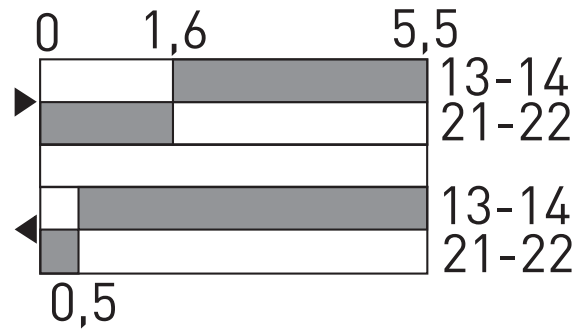
### Technical data

Weight 165 g

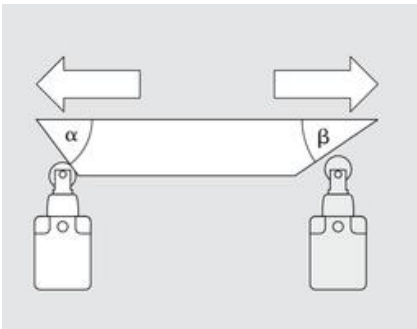
### Contact diagram



### Switching diagram



### Actuating angles



$\alpha$  - Actuating angle from right of switch axis  
 $\beta$  - Actuating angle from left of switch axis as shown in picture