



## Safety switch for hinged guards

ES 13 SB 1Ö/1S-2m - 9.5 mm

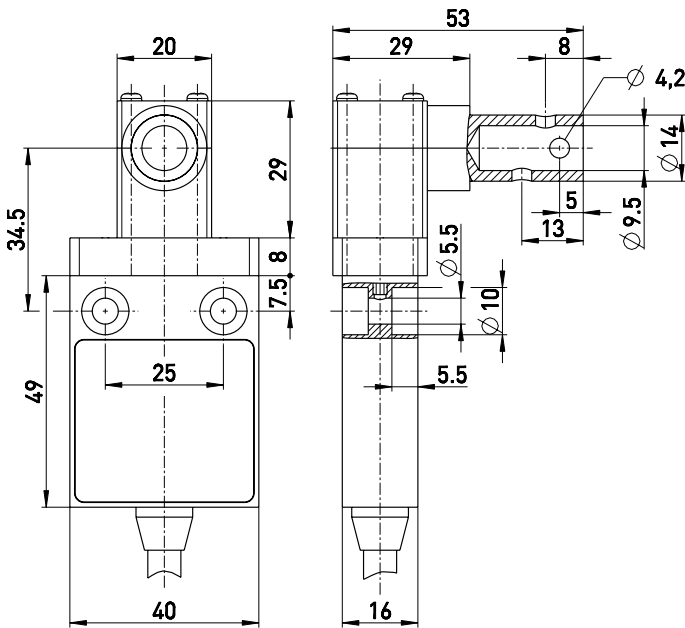
Material number: 1179012 (Material number old: 13054002)

### Features/Options:

- Thermoplastic enclosure
- Double insulated
- Slow action  $\ominus$ , change-over contact with double break

- With pre-wired cable
- Shaft bore  $\varnothing$  9.5 mm
- Actuating shaft can be turned 360°

### Dimensions



### Technical data

Applied standards	EN ISO 13849-1, EN 60947-5-1, EN ISO 14119
Enclosure	thermoplastic, glass-fibre reinforced, impact resistant, self-extinguishing UL 94 V-0
Switch type	type 1
Coding level	no coding
Degree of protection	IP 67 to IEC/EN 60529
B <sub>10d</sub> (10 % load)	2 million
T <sub>M</sub>	max. 20 years
Contact material	silver
Switching system	slow action, positive break NC contacts $\ominus$
Switching elements	1 NC/1 NO contact, type Zb
Connection	pre-wired cable H05VV-F
Cable cross-section	4 x 0.75 mm <sup>2</sup>
Cable length	2 m
Rated impulse withstand voltage U <sub>imp</sub>	4 kV
Rated insulation voltage U <sub>i</sub>	250 V
Conventional thermal current I <sub>the</sub>	6 A
Rated operating current/voltage I <sub>e</sub> /U <sub>e</sub>	6 A/250 VAC; 4 A/24 VDC
Utilisation category	AC-15; DC-13
Short-circuit protection	6 A gG/gN fuse
Ambient temperature	-20 °C ... +75 °C
Mechanical life	> 1 million operations

### Approvals



Errors and omissions excepted.



## Safety switch for hinged guards

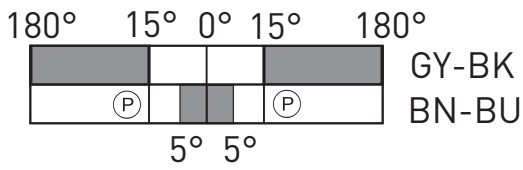
ES 13 SB 1Ö/1S-2m - 9.5 mm

Material number: 1179012 (Material number old: 13054002)

### Technical data

Weight 250 g

### Switching diagram



### Contact diagram

