



## Ex position switch with safety function

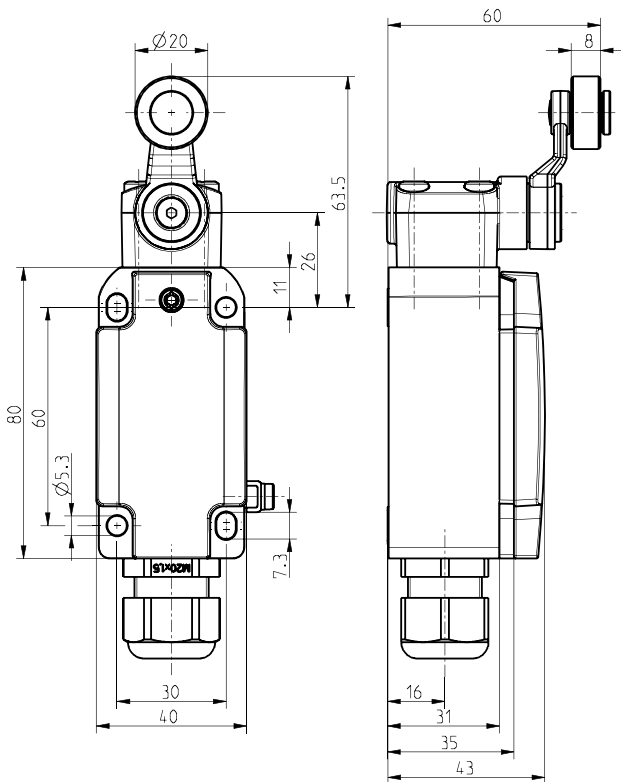
Ex ES 98 D-11-3G/D

Material number: 1454691

### Features/Options:

- Ex zone 2 and 22
- Metal enclosure
- Design to EN 50041
- Wiring compartment
- Actuator: Rocking lever D
- Actuator type A to EN 50041
- Actuating speed max. 2.5 m/s with a vertical actuating angle of 30°
- Wear-resistant plastic roller
- Lever angle adjustable in 10° steps
- Actuator can be repositioned by 4 x 90°

### Dimensions



### Technical data

Applied standards	EN 60947-5-1, EN 60079-0, EN 60079-1, EN 60079-7, EN 60079-31, EN ISO 13849-1, EN ISO 14119
Enclosure	aluminium die-cast, corrosion-resistant, powder-coated, anthracite grey, similar to RAL 7016
Cover	aluminium die-cast, powder-coated, signal yellow, similar to RAL 1003
Sealing	silicone
Switch type	type 1
Coding level	no coding
Degree of protection	IP 67 to IEC/EN 60529
B <sub>10d</sub> (10 % load)	2 million
T <sub>M</sub>	max. 20 years
Contact material	silver
Switching system	slow action, positive break NC contacts ⊖
Switching elements	1 NC/1 NO contact, type Zb
Connection	screw connection terminals
Cable cross-section	min. 0.5 mm <sup>2</sup> / AWG 24, max. 1.5 mm <sup>2</sup> / AWG 16, incl. conductor ferrules
Cable entry	1 x M20 x 1.5 (incl. 1 cable gland)
Clamping range	7 ... 13 mm
Rated impulse withstand voltage U <sub>imp</sub>	4 kV
Rated insulation voltage U <sub>i</sub>	250 V

Errors and omissions excepted.

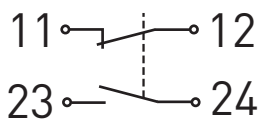


Ex position switch with safety function  
 Ex ES 98 D-11-3G/D  
 Material number: 1454691

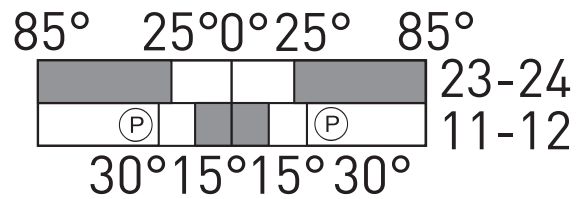
## Technical data

Conventional thermal current $I_{the}$	6 A
Rated operating current/ voltage $I_e/U_e$	2 contacts: 6 A/250 VAC; 0.25 A/230 VDC 3 contacts: 1.5 A/250 VAC; 0.2 A/250 VDC
Utilisation category	AC-15; DC-13
Short-circuit protection	6 A gG/gN fuse
Ambient temperature	T6: -20 °C ... +40 °C; T5: -20 °C ... +60 °C
Mechanical life	> 1 million operations
Operation cycles	max. 1800/h
Repeat accuracy of switching points	± 0.1 mm
Impact energy	max. 7 J
Ex marking	⊕ II 3G Ex dc ec IIC T6/T5 Gc, ⊕ II 3D Ex tc IIIC T80 °C/T95 °C Dc
Weight	307 g

## Contact diagram



## Switching diagram



Ⓟ Positive break travel/angle