



Wireless position switch RF 10 H SW868

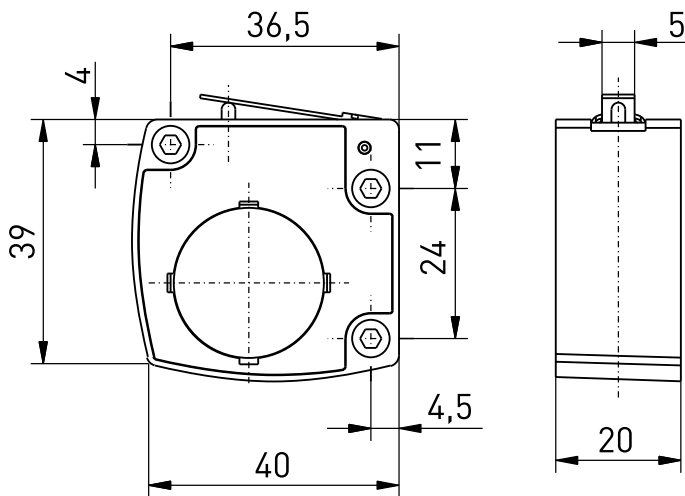
Material number: 1229535 (Material number old: 10120601)

Features/Options:

- Thermoplastic enclosure
- sWave® wireless technology
- No wiring and pipe laying required

- Power supply by Lithium battery
- Easy programming of receiver
- Output signal can be individually configured at the receiver

Dimensions



Technical data

Applied standards	EN 60947-5-1, EN 61000-2, EN 61000-3, EN 301 489-1, EN 301 489-3, EN 300 220-2
Enclosure	thermoplastic, glass-fibre reinforced, impact resistant, self-extinguishing UL 94 V-0
Tightening torque	enclosure mounting screws: 0.5 ... 0.6 Nm
Degree of protection	IP 67 to IEC/EN 60529
Protocol	sWave®
Frequency	868.3 MHz (Europe, China)
Transmission power	< 25 mW
Data rate	66 kbps
Channel bandwidth	480 kHz
Voltage supply	lithium battery CR 2032 (replaceable)
System	Lithium-MnO ₂
Nominal voltage	3 V
Nominal capacity	0.23 Ah
Battery life	> 800 000 operations
Ambient temperature	-20 °C ... +65 °C
Operation cycles	max. 12000 telegrams with repetitions/h
Wireless range	max. 450 m outdoors, max. 40 m indoors
Mechanical life	> 1 million operations
Actuating time	min. 80 ms
Note	no status signal available
Wireless approvals	Europe: RED 2014/53/EU
Weight	30 g

Errors and omissions excepted.



Wireless position switch

RF 10 H SW868

Material number: 1229535 (Material number old: 10120601)

Switching diagram

