

Accessories for magnetic sensors

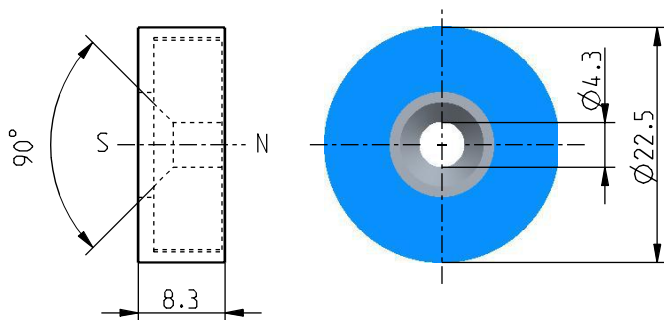
Actuating magnet M 100 S

Material number: 1042615 (Material number old: 05.00.8207)

Features/Options:

- Thermoplastic enclosure polyamid 6.6, blue S
- Magnet: Barium ferrite
- Temperature resistant from -40 °C to +80 °C

Dimensions



Technical data

Weight 20 g