



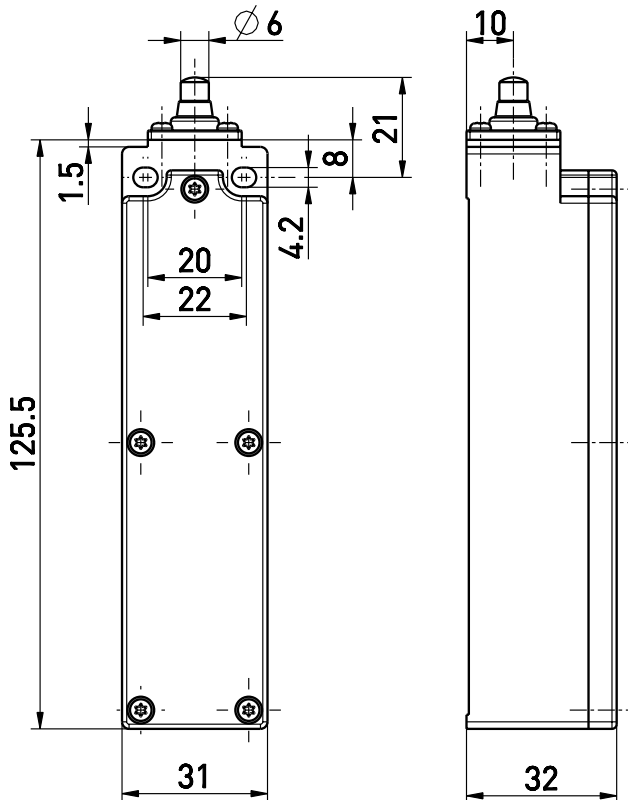
## Ex Wireless position switch Ex RF 96 W SW868 Material number: 1395274

### Features/Options:

- Ex zone 1 and 21
- sWave® wireless technology
- Power supply by ex-proof lithium battery (exchange inside Ex areas possible)
- Thermoplastic enclosure
- Mounting details to EN 50047
- No wiring and pipe laying required

- Easy programming of receiver
- Output signal can be individually configured at the receiver
- Actuator: Plunger with collar W
- Actuator type B to EN 50047
- Watertight collar for protection against penetration of dirt

### Dimensions



### Technical data

Applied standards	EN 60947-5-1, EN 61000-6-2, EN 61000-6-3, EN 301 489-1, EN 301 489-3, EN 300 220-1, EN 300 220-2, EN 60079-0, EN 60079-11
Enclosure	thermoplastic, glass-fibre reinforced, impact resistant, self-extinguishing UL 94 V-0
Tightening torque	M4 enclosure mounting screws: max 1.2 Nm M2.5 cover screws: approx. 0.45 Nm
Degree of protection	IP 20 to IEC/EN 60079-11, IP 67 to IEC/EN 60529
Protocol	sWave®
Frequency	868.3 MHz (Europe, China)
Transmission power	< 25 mW
Data rate	66 kbps
Channel bandwidth	480 kHz
Voltage supply	Ex approved and certified batteries, manufacturer steute, Ex RF Bat 3,6 V/2,1 Ah, mat. no. 1381655, BVS 18 ATEX E 035 X, IECEx BVS 18.0056X
System	Li/SOCl <sub>2</sub>
Nominal voltage	3.6 V
Nominal capacity	2.1 Ah with integrated protective circuit
Battery life	depending on the switching frequency 1 s approx. 800 days, 10 s approx. 1500 days, 100 s approx. 1700 days
Switching system	micro switch
Ambient temperature	-20 °C ... +60 °C

Errors and omissions excepted.

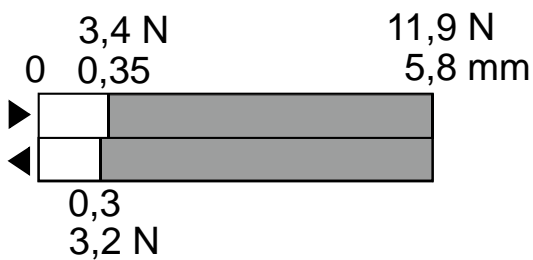


Ex Wireless position switch  
Ex RF 96 W SW868  
Material number: 1395274

## Technical data

Operation cycles	max. 12000 telegrams with repetitions/h
Wireless range	max. 450 m outdoors, max. 40 m indoors
Actuating time	min. 80 ms
Mechanical life	> 1 million operations
Note	status signal adjustable via jumper, no, 10 s, 100 s, 1000 s, 10000 s delivery state: jumper position without status signal, transmission of battery voltage and switching condition
Ex marking	⊕ II 2G Ex ib IIC T4 Gb, ⊕ II 2D Ex ib IIIC T135 °C Db IECEX Ex ib IIC T4 Gb, Ex ib IIIC T135 °C Db
Approvals	BVS 19 ATEX E 009 X IECEX BVS 19.0040X
Wireless approvals	Europe: RED 2014/53/EU

## Switching diagram



Errors and omissions excepted.