



## Pull-wire switch ZS 70 Z 1Ö/1S

Material number: 1182884 (Material number old: 70141002)

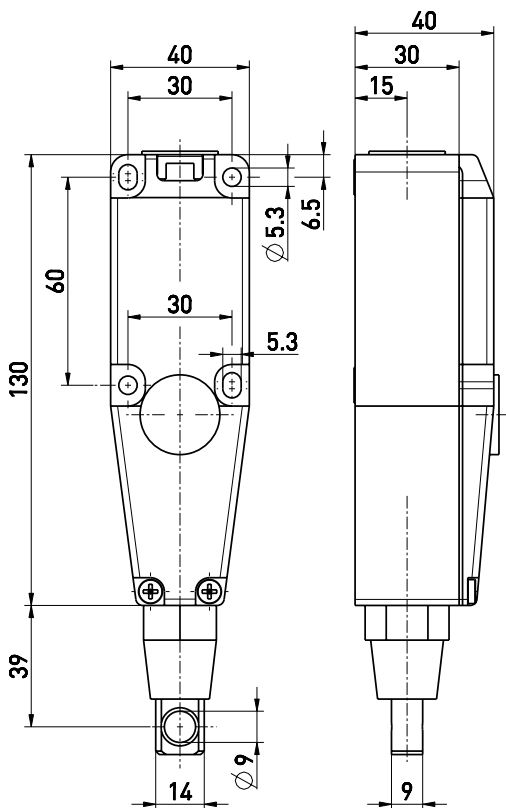
### Features/Options:

- Thermoplastic enclosure
- Wall mounting
- Mounting details to EN 50041
- Snap action
- Pull-wire function

### Notes

- One wire thimble is provided.

### Dimensions



### Technical data

Applied standards	EN 60947-5-1
Enclosure	thermoplastic, glass-fibre reinforced, impact resistant, self-extinguishing UL 94 V-0
Cover	thermoplastic, glass-fibre reinforced, impact resistant, self-extinguishing UL 94 V-0
Degree of protection	IP 67 to IEC/EN 60529
Contact material	silver
Switching elements	1 NC/1 NO contact, type Zb
Switching system	snap action, positive break NC contacts $\ominus$
Connection	screw connection terminals
Cable cross-section	max. 2.5 mm <sup>2</sup> (incl. conductor ferrules)
Cable entry	1 x M20 x 1.5
Rated impulse withstand voltage $U_{imp}$	6 kV
Rated insulation voltage $U_i$	400 V
Conventional thermal current $I_{the}$	6 A
Utilisation category	AC-15
Rated operating current/voltage $I_g/U_g$	6 A/400 VAC
Short-circuit protection	6 A gG/gN fuse
Ambient temperature	-10 °C ... +70 °C
Mechanical life	> 1 million operations
Operation cycles	max. 1800/h
Actuating force	max. 85 N

Errors and omissions excepted.



Pull-wire switch

ZS 70 Z 1Ö/1S

Material number: 1182884 (Material number old: 70141002)

## Technical data

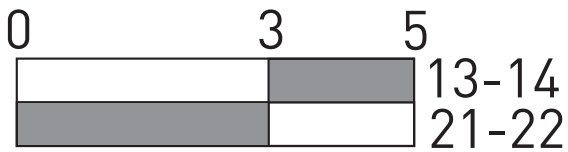
Approvals



Weight

240 g

## Switching diagram



## Contact diagram

