



## Ex position switch

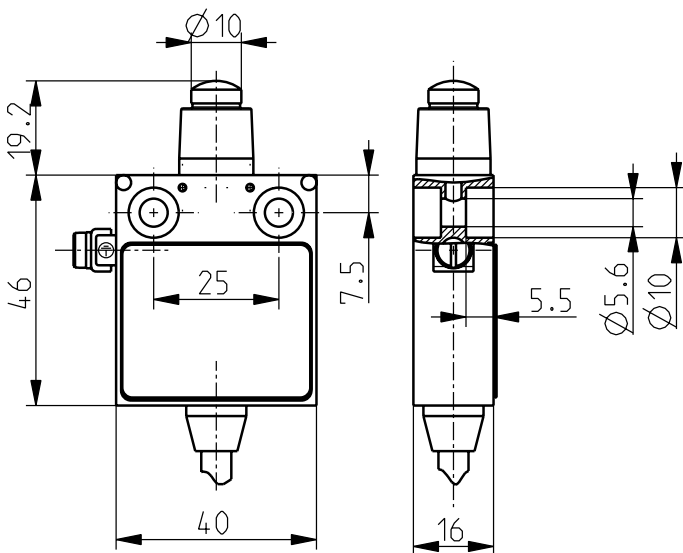
Ex 12 W - 5m

Material number: 1044243 (Material number old: 12702905)

### Features/Options:

- Ex zone 1 and 21
- Metal enclosure, hard-coated
- Snap action, change-over contact with single break
- Suitable for in-line mounting
- With pre-wired cable
- Actuator: Plunger with collar W
- Actuating speed max. 0.5 m/s with a vertical actuating angle of 0°
- Watertight collar for protection against penetration of dirt
- Attention: Please state required international approvals with your order!

### Dimensions



### Technical data

Applied standards	EN 60079-0, EN 60079-1, EN 60079-31, EN 60947-5-1
Enclosure	aluminium die-cast, hard-coated
Degree of protection	IP 65 to IEC/EN 60529
Contact material	silver
Switching system	snap action
Switching elements	1 change-over contact with single break, type C
Connection	pre-wired cable H05VV-F
Cable cross-section	4 x 0.75 mm <sup>2</sup> (incl. conductor ferrules)
Cable length	5 m
Rated impulse withstand voltage $U_{imp}$	4 kV
Rated insulation voltage $U_i$	250 V
Conventional thermal current $I_{the}$	5 A
Utilisation category	AC-15; DC-13
Rated operating current/voltage $I_e/U_e$	5 A/250 VAC; 0.16 A/230 VDC
Short-circuit protection	5 A gG/gN fuse
Ambient temperature	-20 °C ... +60 °C
Mechanical life	> 1 million operations
Operation cycles	max. 1800/h
Repeat accuracy of switching points	$\pm 0.1$ mm
Impact energy	max. 7 J

Errors and omissions excepted.



Ex position switch

Ex 12 W - 5m

Material number: 1044243 (Material number old: 12702905)

## Technical data

Ex marking

⊕ II 2G Ex db IIC T6 Gb  
⊕ II 2D Ex tb IIIC T80 °C Db  
IECEX Ex db IIC T6 Gb  
Ex tb IIIC T80 °C Db

Approvals

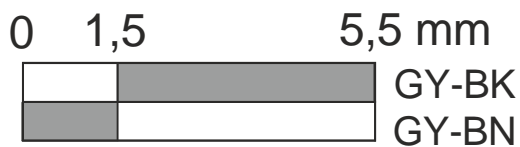
PTB 03 ATEX 1067 X  
IECEX PTB 11.0089X



Weight

480 g

## Switching diagram



## Contact diagram

