



Position switch with safety function ES 41 HL 2Ö

Material number: 1046531 (Material number old: 41515001)

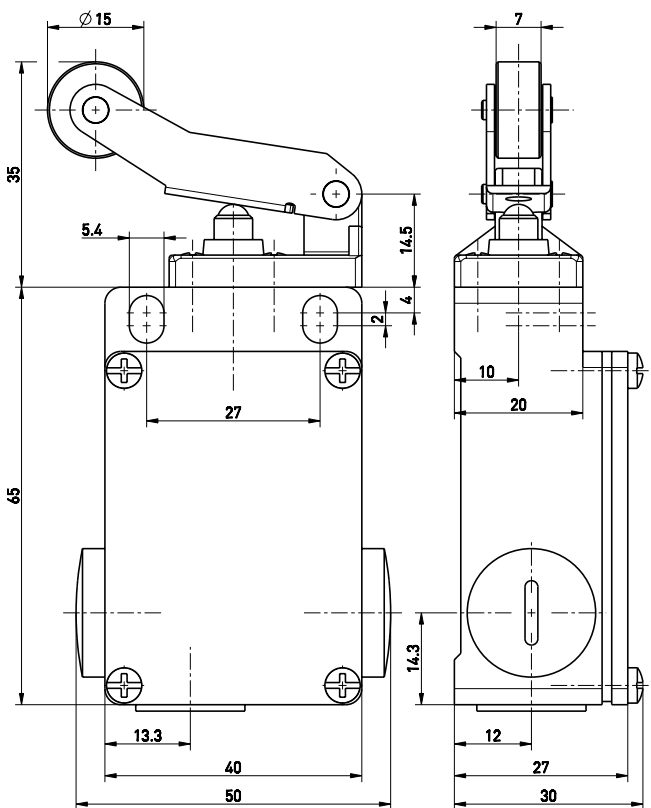
Features/Options:

- Metal enclosure
- Slow action \ominus , 2 NC contacts with double break
- 3 cable entries M16 x 1.5
- Actuator: Long roller lever HL
- Actuating speed max. 0.5 m/s with a vertical actuating angle of $\alpha = 40^\circ$ and $\beta = 30^\circ$
- Wear-resistant plastic roller
- Actuator can be repositioned by $4 \times 90^\circ$

Notes

- Actuation from the left should be avoided since this reduces the mechanical life of the position switch.
- With metal roller available on request
- When used as safety switch, secure the enclosure against slipping with appropriate means, e.g. pinning.

Dimensions



Technical data

| | |
|---|---|
| Applied standards | EN ISO 13849-1, EN 60947-5-1, EN ISO 14119 |
| Enclosure | aluminium die-cast, powder-coated |
| Switch type | type 1 |
| Coding level | no coding |
| Degree of protection | IP 65 to IEC/EN 60529 |
| B_{10d} (10 % load) | 2 million |
| T_M | max. 20 years |
| Contact material | silver |
| Switching system | slow action, positive break NC contacts \ominus |
| Switching elements | 2 NC contacts, type Zb |
| Connection | screw connection terminals |
| Cable cross-section | max. 2.5 mm ² (incl. conductor ferrules) |
| Cable entry | 3 x M16 x 1.5 |
| Rated impulse withstand voltage U_{imp} | 4 kV |
| Rated insulation voltage U_i | 400 V |
| Conventional thermal current I_{the} | 6 A |
| Utilisation category | AC-15 |
| Rated operating current/voltage I_e/U_e | 6 A/400 VAC |

Errors and omissions excepted.




Position switch with safety function

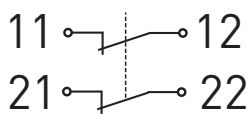
ES 41 HL 2Ö

Material number: 1046531 (Material number old: 41515001)

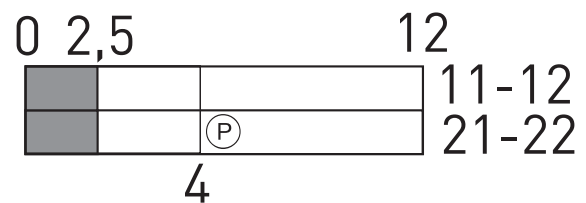
Technical data

| | |
|-------------------------------------|---|
| Short-circuit protection | 6 A gG/gN fuse |
| Mechanical life | > 1 million operations |
| Operation cycles | max. 3600/h |
| Ambient temperature | -20 °C ... +80 °C |
| Repeat accuracy of switching points | ± 0.1 mm |
| Approvals |  |
| Weight | 171 g |

Contact diagram

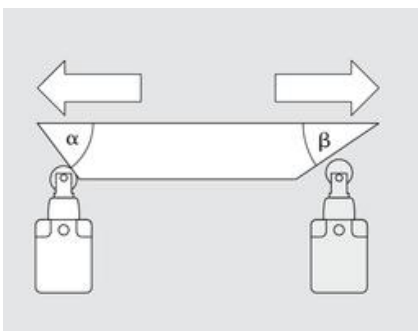


Switching diagram



Ⓟ Positive break travel/angle

Actuating angles



α - Actuating angle from right of switch axis

β - Actuating angle from left of switch axis as shown in picture

Errors and omissions excepted.