



Position switch with safety function

ES 51 R 1Ö/1S

Material number: 1047013 (Material number old: 51009001)

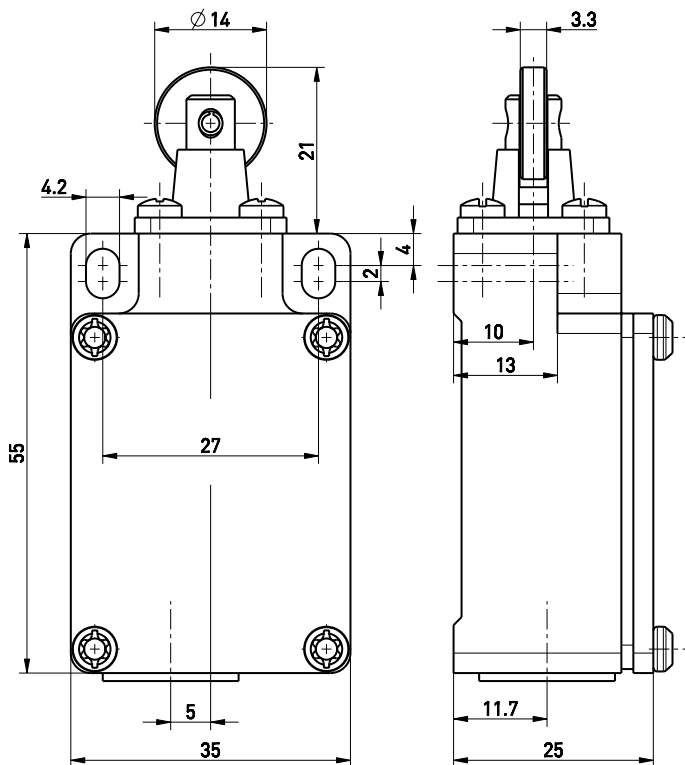
Features/Options:

- Metal enclosure
- Slow action \ominus , change-over contact with double break
- 1 cable entry M16 x 1.5
- Actuator: Roller plunger R
- Actuating speed max. 0.5 m/s with a vertical actuating angle of 30°
- Metal roller
- Actuator can be repositioned by 4 x 90°

Notes

- When used as safety switch, secure the enclosure against slipping with appropriate means, e.g. pinning.

Dimensions



Technical data

Applied standards	EN ISO 13849-1, EN 60947-5-1, EN ISO 14119
Enclosure	aluminium die-cast, powder-coated
Switch type	type 1
Coding level	no coding
Degree of protection	IP 65 to IEC/EN 60529
B _{10d} (10 % load)	2 million
T _M	max. 20 years
Contact material	silver
Switching system	slow action, positive break NC contacts \ominus
Switching elements	1 NC/1 NO contact, type Zb
Connection	screw connection terminals
Cable cross-section	max. 1.5 mm ² (incl. conductor ferrules)
Cable entry	1 x M16 x 1.5
Rated impulse withstand voltage U _{imp}	4 kV
Rated insulation voltage U _i	400 V
Conventional thermal current I _{the}	4 A
Utilisation category	AC-15
Rated operating current/voltage I _e /U _e	4 A/400 VAC
Short-circuit protection	4 A gG/gN fuse
Mechanical life	> 1 million operations

Errors and omissions excepted.



Position switch with safety function

ES 51 R 1Ö/1S

Material number: 1047013 (Material number old: 51009001)

Technical data

Operation cycles max. 3600/h

Ambient temperature -20 °C ... +80 °C

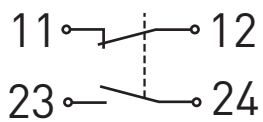
Repeat accuracy of switching points ± 0.1 mm

Approvals

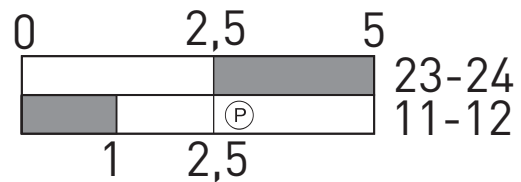


Weight 120 g

Contact diagram



Switching diagram



Ⓟ Positive break travel/angle