



## Emergency pull-wire switch Extreme ZS 75 2Ö/2S WVD / 120-180 N -40°C Extreme

Material number: 1189292 (Material number old: 75442925)

### Features/Options:

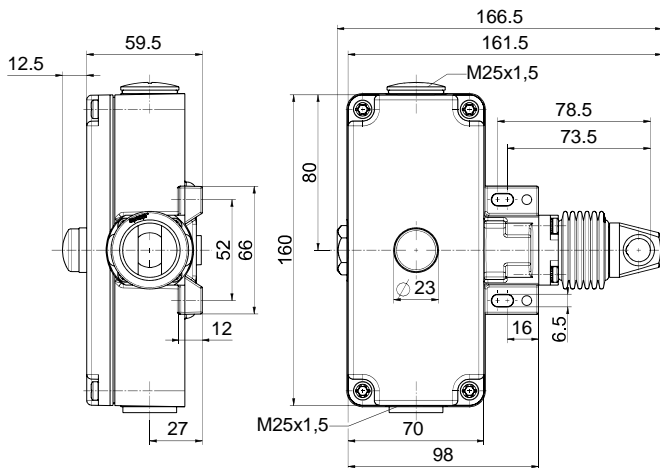
- Cold-resistant down to -40 °C
- Metal enclosure
- 4 contacts
- Wire length up to 130 m
- Adjustable spring force: 120-180 N

- Release by push button (VD)
- Watertight collar W for protection against penetration of dirt
- Wire pull and breakage detection
- Attention: Please state required international approvals with your order!

### Notes

- At 5 m distance intermediate wire supports are required. One wire thimble is provided.

### Dimensions



### Technical data

Applied standards	EN 60947-5-1, EN 60947-5-5, EN ISO 13850, EN ISO 13849-1
Enclosure	aluminium die-cast, powder-coated
Cover	aluminium die-cast, powder-coated
Degree of protection	IP 65 to IEC/EN 60529
B <sub>10d</sub> (10 % load)	100 000
T <sub>M</sub>	max. 20 years
Contact material	silver
Switching elements	2 NC/2 NO contacts, type Zb
Switching system	snap action, positive break NC contacts $\ominus$
Connection	screw connection terminals
Cable cross-section	min. 0.5 mm <sup>2</sup> , max. 2.5 mm <sup>2</sup> (incl. conductor ferrules)
Stripping length	6 mm
Cable entry	2 x M25 x 1.5
Rated impulse withstand voltage U <sub>imp</sub>	6 kV
Rated insulation voltage U <sub>i</sub>	400 V
Conventional thermal current I <sub>the</sub>	6 A
Utilisation category	AC-15
Rated operating current/voltage I <sub>e</sub> /U <sub>e</sub>	6 A/400 VAC
Short-circuit protection	6 A gG/gN fuse

Errors and omissions excepted.



## Emergency pull-wire switch Extreme ZS 75 2Ö/2S WVD / 120-180 N -40°C Extreme

Material number: 1189292 (Material number old: 75442925)

### Technical data

Ambient temperature -40 °C ... +70 °C

Mechanical life > 100 000 operations

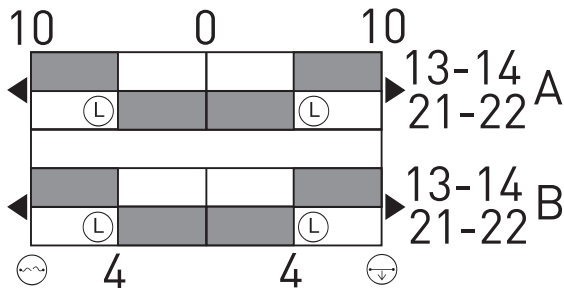
Max. wire length 130 m

Approvals



Weight 980 g

### Switching diagram



- Ⓛ Latching point
- Ⓜ Wire breakage detection
- Ⓣ Wire pull detection

### Contact diagram

