



Ex safety switch with separate actuator

Ex AZ 16 2Ö/1S-5N-3D

Material number: 1210556 (Material number old: 16953307)

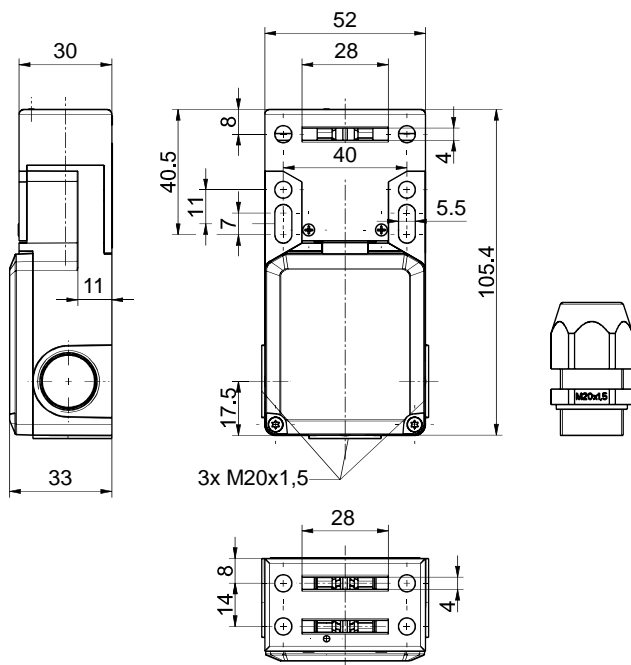
Features/Options:

- Ex zone 22
- Thermoplastic enclosure
- Multiple coding
- Slow action \ominus , 2 NC/1 NO contact with double break
- Wiring compartment
- 5 N latching force

Notes

- The actuator is not included in the delivery of the switches
- 1 Ex"e" cable gland M20x1.5 included in delivery

Dimensions



Technical data

Applied standards	EN 60947-5-1, EN 60079-0, EN 60079-31, EN ISO 13849-1, EN ISO 14119
Enclosure	thermoplastic, glass-fibre reinforced, impact resistant, self-extinguishing UL 94 V-0
Switch type	type 2
Coding level	low coding
Tightening torque	cover screws: 0.5 ... 0.6 Nm switch inserts M3 screw connection terminals: min. 0.6 Nm
Degree of protection	IP 67 to IEC/EN 60529
B_{10d} (10 % load)	2 million
T_M	max. 20 years
Contact material	silver
Switching system	slow action, positive break NC contacts \ominus
Switching elements	2 NC/1 NO contact, type Zb
Connection	screw connection terminals
Cable entry	3 x M20 x 1.5 (press-out blanks in enclosure)
Clamping range	7 ... 12 mm
Rated impulse withstand voltage U_{imp}	4 kV
Rated insulation voltage U_i	250 V
Conventional thermal current I_{the}	T6: 6 A, T5: 3 A
Rated operating current/voltage I_e/U_e	3 A/250 VAC; 0.25 A/230 VDC

Errors and omissions excepted.



Ex safety switch with separate actuator

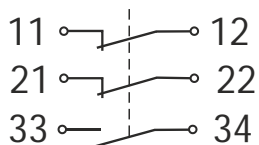
Ex AZ 16 2Ö/1S-5N-3D

Material number: 1210556 (Material number old: 16953307)

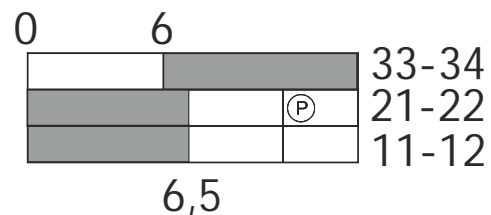
Technical data

Utilisation category	AC-15; DC-13
Short-circuit protection	3 A gG/gN fuse
Positive break travel	9.5 mm
Ambient temperature	T80 °C: -20 °C ... +55 °C; T95 °C: -20 °C ... +70 °C
Mechanical life	> 1 million operations
Impact energy	max. 7 J
Ex marking	⊕ II 3D Ex tc IIIC T80°C/T95°C Dc X
Weight	160 g

Contact diagram



Switching diagram



Ⓟ Positive break travel/angle

Note

Inserted position of actuator = 0 in switching diagram.
The actuator is not included with the switches.