



## Wireless command device RF 95 RSSA 14 ULR SW915

Material number: 1263809 (Material number old: 95958005)

### Features/Options:

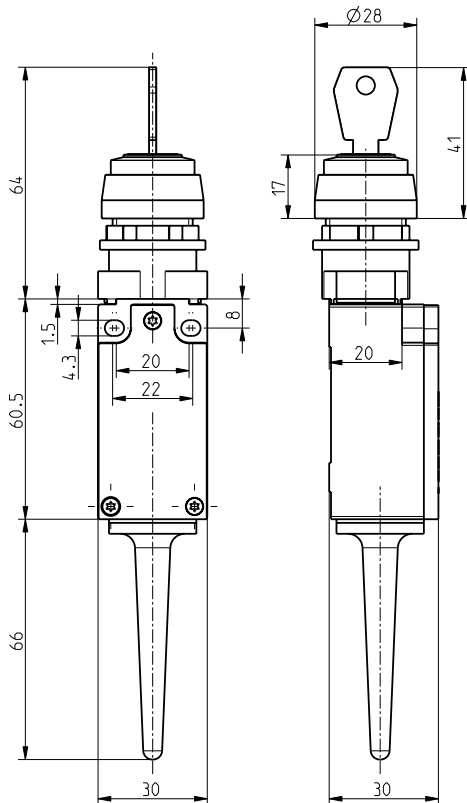
- Thermoplastic enclosure
- Mounting details to EN 50047
- sWave® wireless technology
- No power supply, no wiring and pipe laying required
- Easy programming of receiver
- Output signal can be individually configured at the receiver

- Actuator: Key switch RSSA with safety cylinder lock (locks against turning)
- Standard version always has same key number
- Switching position RSSA 14 (versions with other switching positions available on request)

### Notes

- Available on request in different versions

### Dimensions



### Technical data

Applied standards	EN 60947-5-1, EN 61000-6-2, EN 61000-6-3, EN 61000-4-2, EN 301 489-1, EN 301 489-3, EN 300 220-1, EN 300 220-2
Enclosure	thermoplastic, glass-fibre reinforced, impact resistant, self-extinguishing UL 94 V-0
Cover	thermoplastic, glass-fibre reinforced, impact resistant, self-extinguishing UL 94 V-0
Tightening torque	enclosure mounting screws: 1.2 ... 1.3 Nm cover screws: 0.5 ... 0.6 Nm
Degree of protection	IP 65 to IEC/EN 60529
Protocol	sWave®
Frequency	915 MHz (USA, Canada, Mexico, Australia)
Transmission power	< 25 mW
Data rate	66 kbps
Channel bandwidth	550 kHz
Voltage supply	electrodynamic energy generator
Ambient temperature	-20 °C ... +65 °C
Operation cycles	max. 12000 telegrams with repetitions/h
Wireless range	max. 700 m outdoors, max. 50 m indoors
Mechanical life	> 1 million operations
Actuating time	min. 80 ms
Note	no status signal available

Errors and omissions excepted.



Wireless command device  
RF 95 RSSA 14 ULR SW915

Material number: 1263809 (Material number old: 95958005)

## Technical data

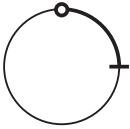
Wireless approvals

USA: FCC - XK5-RF95SW915LR  
Canada: IC - 5158A-  
RF95SW915LR  
Mexico: IFT - RCPSTRF17-1884

Weight

120 g

## Switching position RSSA 14



O - Position for key removal  
I - Switching position