



Position switch Extreme ES 41 D 2Ö-STECK -35°C Extreme Material number: 1032150 (Material number old: 41521904)

Features/Options:

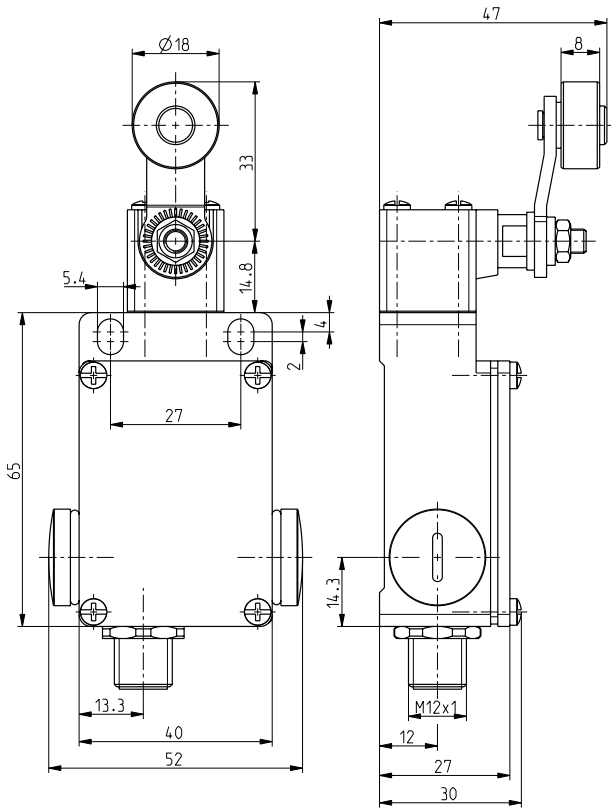
- Metal enclosure
- 2 NC contacts
- Cold-resistant down to -35 °C
- Locking screws, brass nickel-plated
- Actuator: Rocking lever D
- Actuating speed max. 0.5 m/s with a vertical actuating angle of 45°

- Wear-resistant plastic roller
- Lever can be repositioned in 10° steps clockwise or counter-clockwise
- Actuator can be repositioned by 180°
- Attention: Please state required international approvals with your order!

Notes

- With metal roller available on request

Dimensions



Technical data

Applied standards	EN 60947-5-1
Enclosure	aluminium die-cast, powder-coated
Cover	steel, powder-coated
Degree of protection	IP 65 to IEC/EN 60529
Contact material	silver
Switching system	slow action
Switching elements	2 NC contacts, type Zb
Connection	plug-in-connector M12 x 1, 4-poles
Rated impulse withstand voltage U_{imp}	4 kV
Rated insulation voltage U_i	400 V
Conventional thermal current I_{the}	6 A
Utilisation category	AC-15
Rated operating current/voltage I_e/U_e	6 A/400 VAC
Short-circuit protection	6 A gG/gN fuse
Mechanical life	> 1 million operations
Operation cycles	max. 1800/h
Ambient temperature	-35 °C ... +80 °C
Approvals	
Cable cross-section	max. 2.5 mm ² (incl. conductor ferrules)

Errors and omissions excepted.



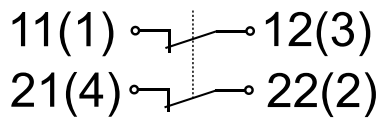
Position switch Extreme
 ES 41 D 2Ö-STECK -35°C Extreme
 Material number: 1032150 (Material number old: 41521904)

Technical data

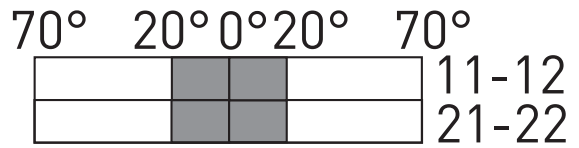
Cable entry 3 x M16 x 1.5

Weight 222 g

Contact diagram



Switching diagram



Plug-in configuration

