



## Wireless inductive sensor

RF IS M30 nb-ST 0.5 m

Material number: 1260490 (Material number old: 90211007)

### Features/Options:

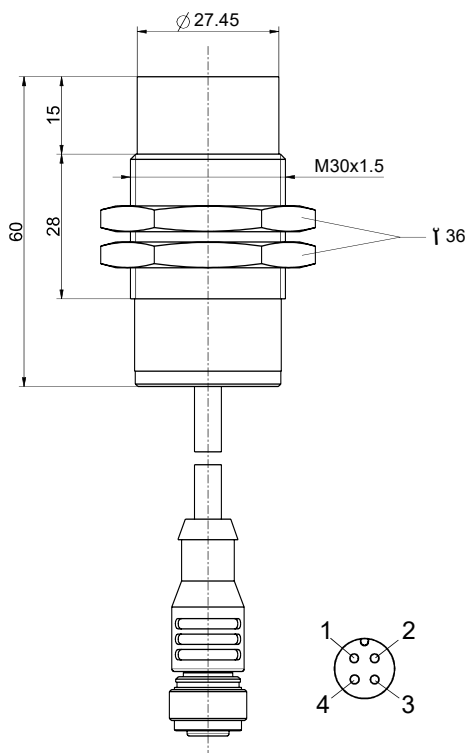
- Metal enclosure
- M30 x 1.5 thread
- Non-flush mounting

### Notes

- 2 mounting nuts are included in delivery

- To be connected to [RF 96 ST or RF I/O universal transmitter](#)
- With M12 coupling, 4-pole

### Dimensions



### Technical data

Applied standards	EN 60947-5-2, EN 61000-6-2, EN 61000-6-3
Enclosure	brass, nickel
Actuator	steel plate 45 x 45 x 1 mm, FE 360
Front cap	PVC, black
Back cap	PVC, black
Degree of protection	IP 67 to IEC/EN 60529
Connection	Coupling M12 x 1, 4-pole
Cable length	0.5 m
Ambient temperature	-25 °C ... +70 °C
Rated insulation voltage $U_i$	75 VDC
Rated operating current $I_e$	0.2 mA
Rated operating voltage $U_e$	3 ... 5 VDC
Rated switching distance $s_n$	15 mm
Assured switching distance $s_a$	0 ... 12.15 mm
Real switching distance $s_r$	13.5 ... 16.5 mm
Hysteresis	approx. 10 %
Repeatability	≤ 5 %
Type of installation	non-flush
Switching frequency	see RF 96 ST / RF I/O
Correction factors	Steel (Fe360) = 1; Stainless steel approx. 0.7; Brass approx. 0.5; Aluminium approx. 0.4; Copper approx. 0.4
Note	The sensor may only be used in combination with RF 96 ST or RF I/O

Errors and omissions excepted.



## Wireless inductive sensor

RF IS M30 nb-ST 0.5 m

Material number: 1260490 (Material number old: 90211007)

### Technical data

Weight

150 g

### Contact diagram

