



Ex magnetic sensor

Ex RC 2580 1W-B-Niro-5m

Material number: 1190153 (Material number old: 22533502)

Features/Options:

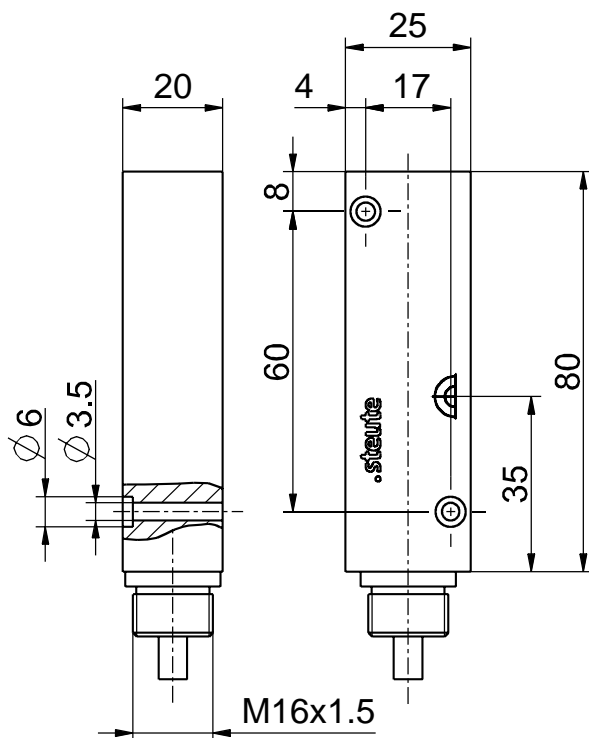
- Ex zone 1 and 21
- Stainless steel enclosure
- Cold-resistant down to -40 °C
- All side actuation

- With pre-wired cable
- With mounting thread M16 x 1.5 for cable protection system
- Attention: Please state required international approvals with your order!

Notes

- The Ex RC 2580 B (with mounting thread) has "double reinforced insulation". These devices do not require earthing.
- The actuator is not included in the delivery of the switches

Dimensions



Technical data

| | |
|--------------------------------------|-----------------------------------------------------------------------------------------------------------|
| Applied standards | EN 60947-5-2, EN 60079-0, EN 60079-18 |
| Enclosure | stainless steel 1.4571 |
| Degree of protection | IP 67 (EN 60079-0 + IEC/EN 60529) IP 68, IP 69 (IEC/EN 60529) IP 69K (ISO 20653) |
| Switching system | reed contacts |
| Switching elements | 1 change-over contact |
| Connection | pre-wired cable H05VV-F |
| Cable cross-section | 3 x 0.75 mm ² |
| Cable length | 5 m |
| Switching voltage | max. 250 VAC |
| Switching current | max. 0.5 A |
| Short-circuit current I _k | max. 2 A |
| Switching capacity | max. 30 W/VA |
| Ambient temperature | -40 °C ... +70 °C |
| Mechanical life | > 1 million operations |
| Vibration resistance | max. 15 g |
| Shock resistance | max. 10 g |
| Impact energy | max. 7 J |
| Ex marking | ⊕ II 2G Ex mb IIC T6 Gb, ⊕ II 2D Ex mb IIIC T80 °C Db IECEx Ex mb IIC T6 Gb Ex mb IIIC T80 °C Db |

Errors and omissions excepted.



Ex magnetic sensor
Ex RC 2580 1W-B-Niro-5m
Material number: 1190153 (Material number old: 22533502)

Technical data

Approvals

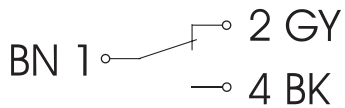
DMT 01 ATEX E 058 X
IECEX BVS 07.0007 X



Weight

640 g

Contact diagram



Axial misalignment

