



Safety switch with separate actuator

ST 14 S 2Ö - 10m

Material number: 1163462 (Material number old: 14553709)

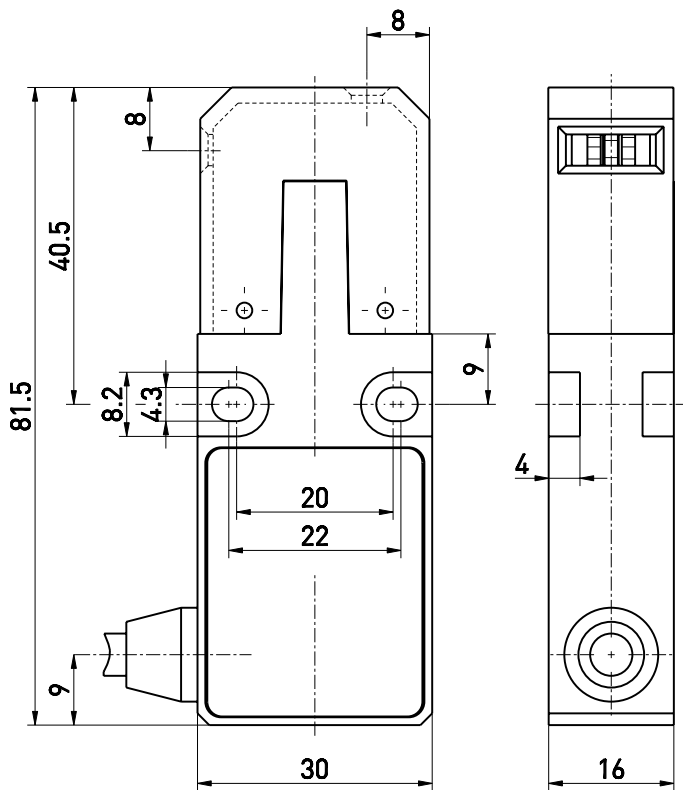
Features/Options:

- Thermoplastic enclosure
- Double insulated
- Version with cable entry on side
- With pre-wired cable

Notes

- The actuator is not included in the delivery of the switches

Dimensions



Technical data

Applied standards	EN 60947-5-1, EN ISO 13849-1, EN ISO 14119, GS-ET-15
Enclosure	thermoplastic, glass-fibre reinforced, impact resistant, self-extinguishing UL 94 V-0
Switch type	type 2
Coding level	low coding
Tightening torque	enclosure mounting screws: max. 1.5 Nm
Degree of protection	IP 67 to IEC/EN 60529
B_{10d} (10 % load)	2 million
T_M	max. 20 years
Contact material	silver
Switching system	slow action, positive break NC contacts \ominus
Switching elements	2 NC contacts, type Zb
Connection	cable 4 x AWG 20 UL 2464
Cable diameter	5.4 mm \pm 3%
Cable cross-section	4 x 0.56 mm ²
Rated impulse withstand voltage U_{imp}	4 kV
Rated insulation voltage U_i	250 V
Conventional thermal current I_{the}	6 A
Rated operating current/voltage I_e/U_e	6 A/250 VAC; 0.25 A/230 VDC; 4 A/24 VDC
Utilisation category	AC-15; DC-13
Short-circuit protection	6 A gG/gN fuse
Positive break travel	8 mm
Ambient temperature	-20 °C ... +75 °C

Errors and omissions excepted.



Safety switch with separate actuator

ST 14 S 2Ö - 10m

Material number: 1163462 (Material number old: 14553709)

Technical data

Mechanical life > 1 million operations

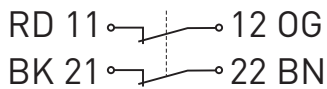
Approvals



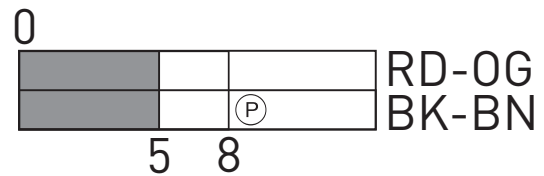
Cable length 10 m

Weight 550 g

Contact diagram



Switching diagram



(P) Positive break travel/angle

Note

Inserted position of actuator = 0 in switching diagram.
The actuator is not included with the switches.