



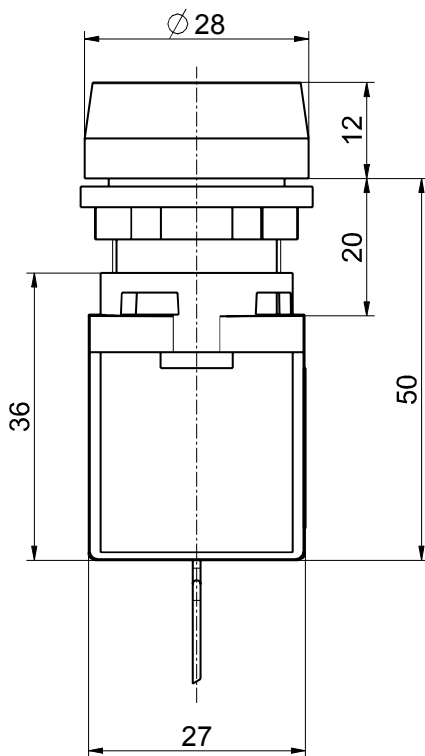
Wireless command device RF BF 74 RT SW915 Material number: 1328466

Features/Options:

- sWave® wireless technology
- No power supply, no wiring and pipe laying required
- Easy programming of receiver

- Output signal can be individually configured at the receiver
- Actuator: Push button RT
- Actuator made of plastic

Dimensions



Technical data

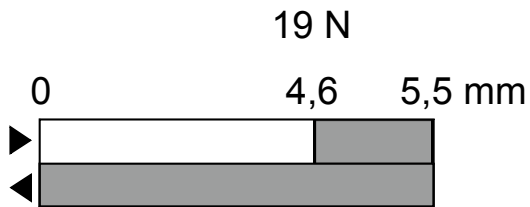
| | |
|----------------------|--|
| Applied standards | EN 60947-5-1, EN 61000-6-2, EN 61000-6-3, EN 61000-4-2, EN 301 489-1, EN 301 489-3, EN 300 220-1, EN 300 220-2 |
| Enclosure | thermoplastic, glass-fibre reinforced, impact resistant, self-extinguishing UL 94 V-0 |
| Tightening torque | cover screws: approx. 1.6 Nm |
| Degree of protection | IP 65 to IEC/EN 60529, use only with enclosure for command devices |
| Protocol | sWave® |
| Frequency | 915 MHz (USA, Canada, Mexico, Australia) |
| Transmission power | < 25 mW |
| Data rate | 66 kbps |
| Channel bandwidth | 550 kHz |
| Voltage supply | electrodynamic energy generator |
| Ambient temperature | -20 °C ... +65 °C |
| Operation cycles | max. 12000 telegrams with repetitions/h |
| Wireless range | max. 450 m outdoors, max. 40 m indoors |
| Mechanical life | 800 000 operations |
| Actuating time | min. 80 ms |
| Actuating speed V | min. 0.03 m/s; max. 0.25 m/s |
| Note | no status signal available |
| Wireless approvals | USA: FCC - XK5-RF95SW915LR Canada: IC - 5158A-RF95SW915LR Mexico: IFT - RCPSTRF17-1884 |
| Weight | 38 g |

Errors and omissions excepted.



Wireless command device
RF BF 74 RT SW915
Material number: 1328466

Switching diagram



Colour plate selection for RT (included in delivery of RT)

