



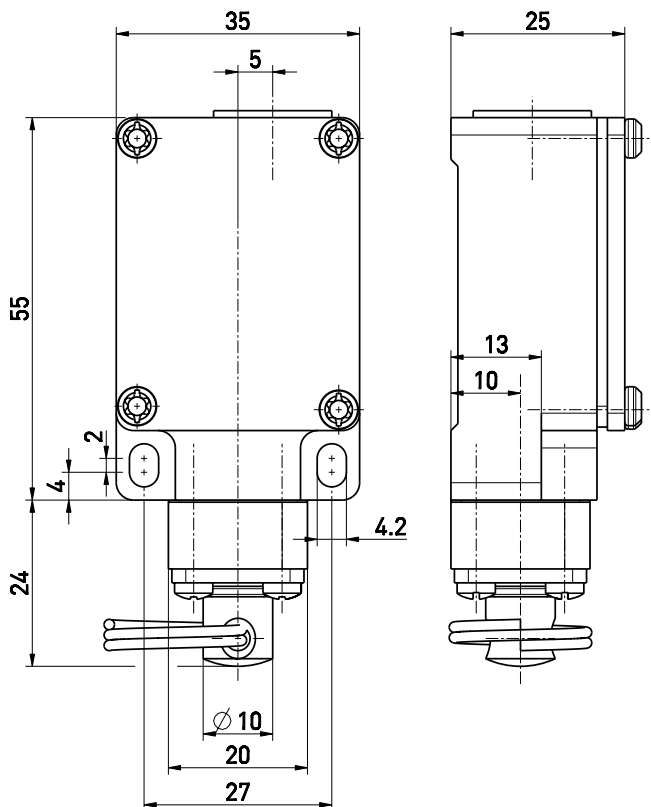
## Pull-wire switch ES 51 WZ 1Ö/1S

Material number: 1047048 (Material number old: 51042001)

### Features/Options:

- Metal enclosure
- Wall mounting
- Slow action: 2 contacts
- Compact design
- Pull-wire function
- Watertight collar W for protection against penetration of dirt

### Dimensions



### Technical data

Applied standards	EN 60947-5-1
Enclosure	aluminium die-cast, powder-coated
Cover	steel, powder-coated
Degree of protection	IP 65 to IEC/EN 60529
Contact material	silver
Switching elements	1 NC/1 NO contact, type Zb
Switching system	slow action
Connection	screw connection terminals
Cable cross-section	max. 2.5 mm <sup>2</sup> (incl. conductor ferrules)
Cable entry	1 x M16 x 1.5
Rated impulse withstand voltage $U_{imp}$	4 kV
Rated insulation voltage $U_i$	400 V
Conventional thermal current $I_{the}$	4 A
Utilisation category	AC-15
Rated operating current/voltage $I_e/U_e$	4 A/400 VAC
Short-circuit protection	4 A gG/gN fuse
Ambient temperature	-20 °C ... +80 °C
Mechanical life	> 1 million operations
Operation cycles	max. 3600/h
Actuating force	max. 40 N
Approvals	
Weight	120 g

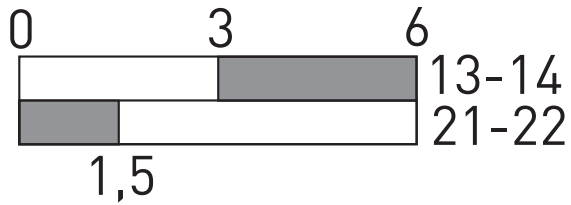
Errors and omissions excepted.



## Pull-wire switch ES 51 WZ 1Ö/1S

Material number: 1047048 (Material number old: 51042001)

Switching diagram



Contact diagram

