



## Wireless position switch

RF 95 WHM LR SW868

Material number: 1337907 (Material number old: 95914003)

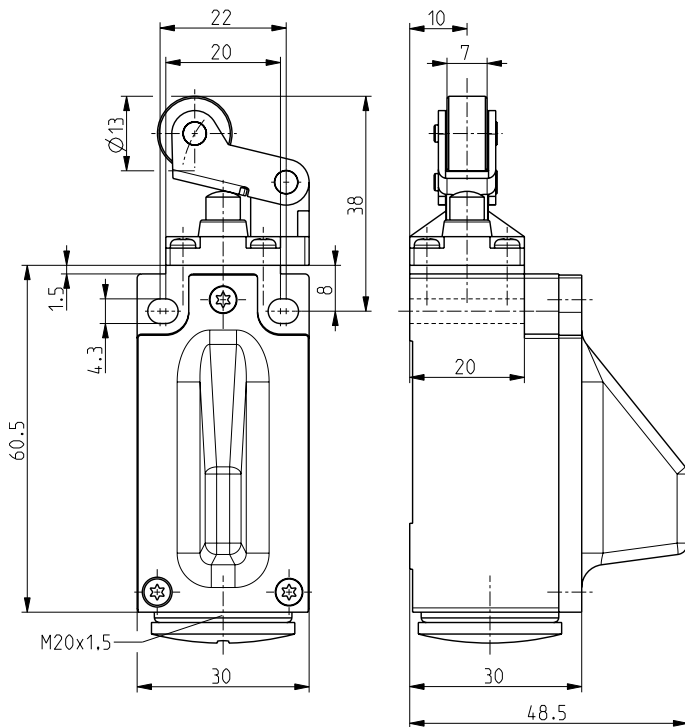
### Features/Options:

- Thermoplastic enclosure
- Design to EN 50047
- sWave® wireless technology
- No power supply, no wiring and pipe laying required
- Easy programming of receiver
- Output signal can be individually configured at the receiver
- Actuator: Metal roller lever with collar WHM
- Actuating speed max. 0.5 m/s with a vertical actuating angle of  $\alpha = 40^\circ$  and  $\beta = 25^\circ$
- Watertight collar for protection against penetration of dirt
- Wear-resistant plastic roller
- Actuator can be repositioned by 4 x 90°

### Notes

- With metal roller available on request

### Dimensions



### Technical data

Applied standards	EN 60947-5-1, EN 61000-6-2, EN 61000-6-3, EN 61000-4-2, EN 301 489-1, EN 301 489-3, EN 300 220-1, EN 300 220-2
Enclosure	thermoplastic, glass-fibre reinforced, impact resistant, self-extinguishing UL 94 V-0
Cover	thermoplastic, glass-fibre reinforced, impact resistant, self-extinguishing UL 94 V-0
Tightening torque	enclosure mounting screws: 1.2 ... 1.3 Nm cover screws: 0.5 ... 0.6 Nm
Degree of protection	IP 67 to IEC/EN 60529
Protocol	sWave®
Frequency	868.3 MHz (Europe, China)
Transmission power	< 25 mW
Data rate	66 kbps
Channel bandwidth	480 kHz
Voltage supply	electrodynamic energy generator
Ambient temperature	-20 °C ... +65 °C
Operation cycles	max. 12000 telegrams with repetitions/h
Wireless range	max. 450 m outdoors, max. 40 m indoors
Mechanical life	> 1 million operations
Actuating time	min. 80 ms
Note	no status signal available
Wireless approvals	Europe: RED 2014/53/EU

Errors and omissions excepted.



## Wireless position switch

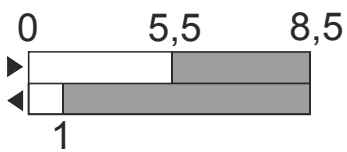
RF 95 WHM LR SW868

Material number: 1337907 (Material number old: 95914003)

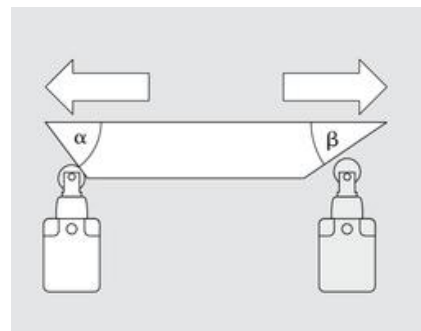
### Technical data

Weight 60 g

### Switching diagram



### Actuating angles



$\alpha$  - Actuating angle from right of switch axis  
 $\beta$  - Actuating angle from left of switch axis as shown in picture