



## Ex position switch with safety function

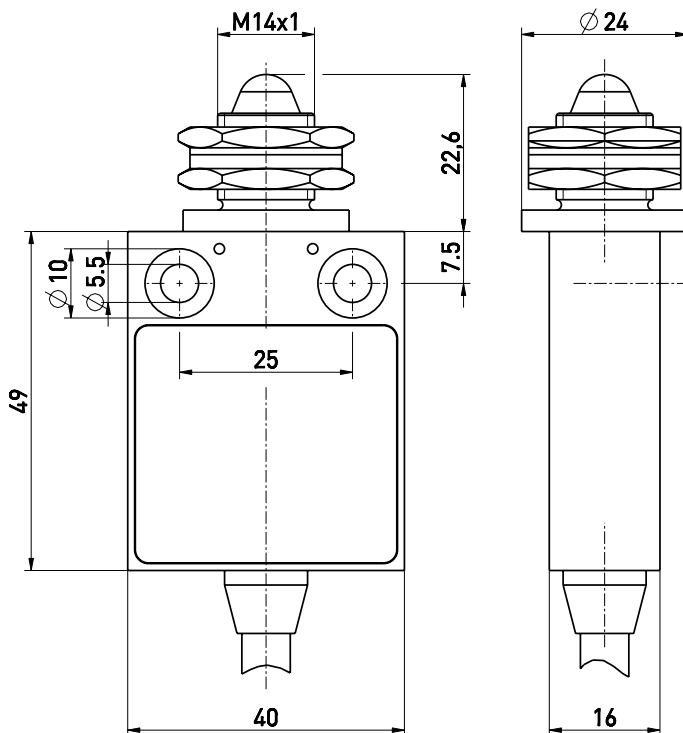
Ex 13 FKU 1Ö/1S - 2m

Material number: 1189147 (Material number old: 13049302)

### Features/Options:

- Ex zone 1 and 21
- Thermoplastic enclosure
- Double insulated
- With pre-wired cable
- Actuator: Ball plunger for front mounting FKU
- Actuating speed max. 0.5 m/s with a vertical actuating angle of 20°
- Vertical actuation or actuation from side possible
- Actuator with captive stainless steel ball
- Ball diameter 8 mm
- Exact repeatability of switching point
- Attention: Please state required international approvals with your order!

### Dimensions



### Technical data

Applied standards	EN 60947-5-1, EN 60079-0, EN 60079-1, EN 60079-31, EN ISO 13849-1, EN ISO 14119
Enclosure	thermoplastic, glass-fibre reinforced, impact resistant, self-extinguishing UL 94 V-0
Switch type	type 1
Coding level	no coding
Degree of protection	IP 65 (EN 60079-0 + IEC/EN 60529) IP 67 (IEC/EN 60529)
$B_{10d}$ (10 % load)	2 million
$T_M$	max. 20 years
Contact material	silver
Switching system	slow action, positive break NC contacts $\ominus$
Switching elements	1 NC/1 NO contact, type Zb
Connection	pre-wired cable H05VV-F
Cable cross-section	4 x 0.75 mm <sup>2</sup> (incl. conductor ferrules)
Cable length	2 m
Rated impulse withstand voltage $U_{imp}$	4 kV
Rated insulation voltage $U_i$	250 V
Conventional thermal current $I_{the}$	T6: 6 A, T5: 3 A
Rated operating current/voltage $I_e/U_e$	6 A/250 VAC; 0.25 A/230 VDC
Utilisation category	AC-15; DC-13
Short-circuit protection	6 A gG/gN fuse

Errors and omissions excepted.



## Ex position switch with safety function

Ex 13 FKU 1Ö/1S - 2m

Material number: 1189147 (Material number old: 13049302)

### Technical data

Ambient temperature	T6: -20 °C ... +65 °C, T5: -20 °C ... +75 °C, +90 °C with max. 3 A
---------------------	--

Mechanical life	> 1 million operations
-----------------	------------------------

Operation cycles	max. 1800/h
------------------	-------------

Repeat accuracy of switching points	± 0.1 mm
-------------------------------------	----------

Contact opening	max. 2 x 4 mm
-----------------	---------------

Impact energy	max. 7 J
---------------	----------

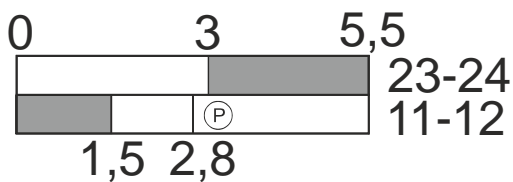
Ex marking	<p>⊕ II 2G Ex db IIC T6/T5 Gb,  ⊕ II 2D Ex tb IIIC  T80 °C/T95 °C Db  IECEX Ex db IIC T6/T5 Gb,  Ex tb IIIC T80 °C/T95 °C Db</p>
------------	--

Approvals	PTB 03 ATEX 1068 X IECEX PTB 06.0053X
-----------	--



Weight	236 g
--------	-------

### Switching diagram



Ⓟ Positive break travel/angle

### Contact diagram

