

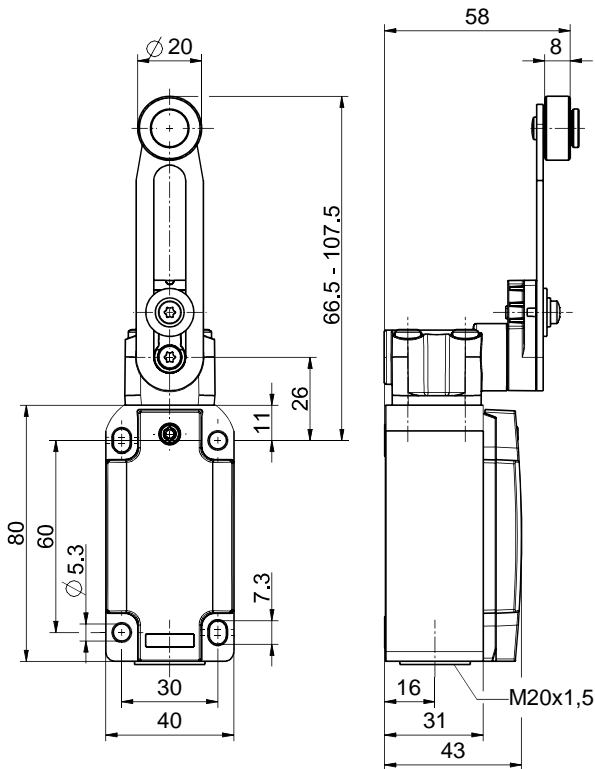


Position switch Extreme
EM 98 DS-12 -40°C IP66 Extreme
 Material number: 1305454 (Material number old: 9106299001)

Features/Options:

- Cold-resistant down to -40 °C
- High degree of protection IP 66
- Metal enclosure
- Design to EN 50041
- Snap action, 2 NC/1 NO contact with double break
- Actuator: Adjustable rocking lever DS
- Actuating speed max. 2.5 m/s with a vertical actuating angle of 30°
- Wear-resistant plastic roller
- Actuator can be repositioned by 4 x 90°
- Lever angle adjustable in 10° steps

Dimensions



Technical data

| | |
|--|--|
| Applied standards | EN 60947-5-1 |
| Enclosure | aluminium die-cast, corrosion-resistant, powder-coated, anthracite grey, similar to RAL 7016 |
| Cover | stainless steel 1.4401, powder-coated, signal yellow, similar to RAL 1003 |
| Degree of protection | IP 66/67 to IEC/EN 60529 |
| Contact material | silver |
| Switching system | snap action |
| Switching elements | 2 NC/1 NO contact, type Zb |
| Connection | screw connection terminals |
| Cable cross-section | max. 1.5 mm ² (incl. conductor ferrules) |
| Cable entry | 1 x M20 x 1.5 |
| Rated impulse withstand voltage U _{imp} | 4 kV |
| Rated insulation voltage U _i | 400 V |
| Conventional thermal current I _{the} | 1.5 A |
| Rated operating current/voltage I _e /U _e | 1.5 A/230 VAC; 0.27 A/250 VDC |
| Utilisation category | AC-15; DC-13 |
| Short-circuit protection | 1.5 A gG/gN fuse |
| Mechanical life | > 1 million operations |
| Operation cycles | max. 1800/h |
| Ambient temperature | -40 °C ... +60 °C |

Approvals



Errors and omissions excepted.

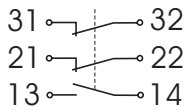


Position switch Extreme

EM 98 DS-12 -40°C IP66 Extreme

Material number: 1305454 (Material number old: 9106299001)

Contact diagram



Switching diagram

