

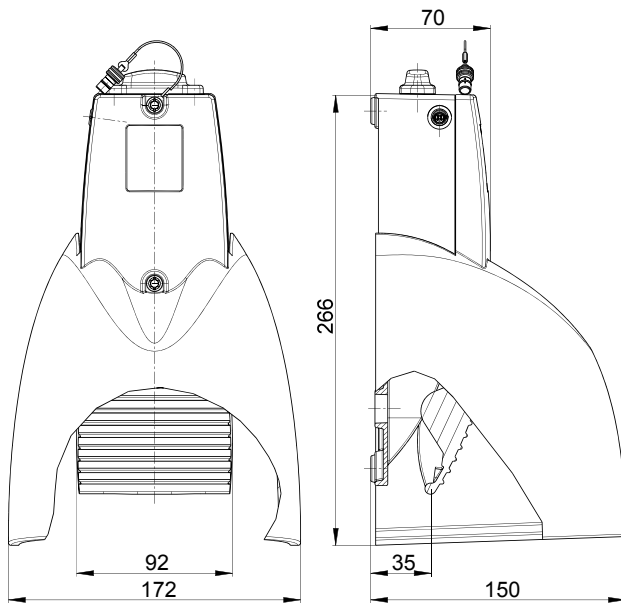


Safe wireless system sWave®-safe RF GFSI 2S SW2.4-safe / RF RxT SW2.4-safe (SET) Material number: 1329045

Features/Options:

- Set consisting of: Foot switch 1-pedal with protective shield
+ charging device
+ wireless receiver [RF RxT SW2.4-safe](#)
+ magnetic base antenna
+ pairing cable
- Compact: A wireless receiver that can be parameterised including evaluation electronics and antenna system
- License-free: Operation in license-free 2.4 GHz ISM frequency band
- Interference-free: Interference-free parallel operation with other systems at a high system density is possible
- Noise immune: High EMC interference resistance in an industrial environment
- 2 NO contacts

Dimensions



Technical data



RF GFSI SW2.4-safe	
Applied standards	EN 60947-5-1, EN 61000-6-2, EN 62061, EN 61326-3-1, EN ISO 13849-1, EN 61784-3, EN 300 328, EN 301 489-1/-17, EN 60950-1, EN 50371
Enclosure	aluminium die-cast, powder-coated
Degree of protection	IP 67 to IEC/EN 60529
Protocol	sWave®
Frequency	2.4 - 2.4835 GHz
Transmission power	3.15 mW
Voltage supply	rechargeable lithium ion battery
Nominal voltage	3.7 V
Nominal capacity	2.25 Ah
Charging device	power supply 7.5 V/800 mA; 1.8 m cable with connector (EURO, UK, USA/JAPAN, AUS, IEC)
Battery life	after 300 charging cycles 80 % battery capacity
Safety-relevant data:	
EN ISO 13849-1	Performance Level PL d
Category	2
B _{10d} (10 % load)	20 million
T _M	max. 20 years
MTTF _{d electronic}	216 years
MTTF _d	119 years

Errors and omissions excepted.

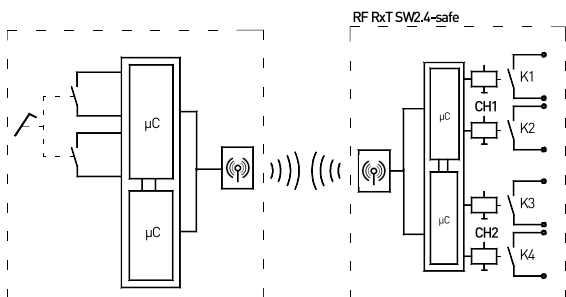


Safe wireless system sWave®-safe
 RF GFSI 2S SW2.4-safe / RF RxT SW2.4-safe (SET)
 Material number: 1329045

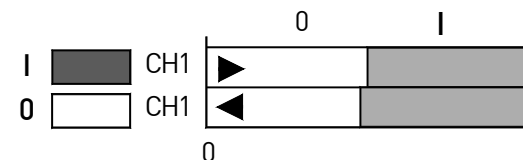
Technical data

DC/DC _{avg}	84 %
PFH _d	5.28 x 10 ⁻⁷ 1/h
n _{op}	378000
Transmission interval	< 50 ms
Synchronisation after sleep mode	max. 8 s
Current consumption	active: approx. 35 mA sniff mode: approx. 12 mA sleep mode: approx. 1 mA
Ambient temperature charging	0 °C ... +40 °C
Ambient temperature	-20 °C ... +55 °C
Storage and shipping temperature	-20 °C ... +60 °C
Mechanical life	> 1 million operations
Wireless range	max. 15 m indoors
Wireless approvals	Europe: RED 2014/53/EU USA: FCC-Id. T7V-BC06 Canada: IC 216Q-BC06 Japan:  ARIB STD-T66
Approvals	TÜV Nord 
Technical data RF RxT SW2.4-safe	see separate data sheet of / RF RxT SW2.4-safe >
Weight	1960 g

Contact diagram



Switching diagram



Errors and omissions excepted.