

Ex position switch

Ex 12 WH - 5m

Material number: 1044507 (Material number old: 12714309)

Features/Options:

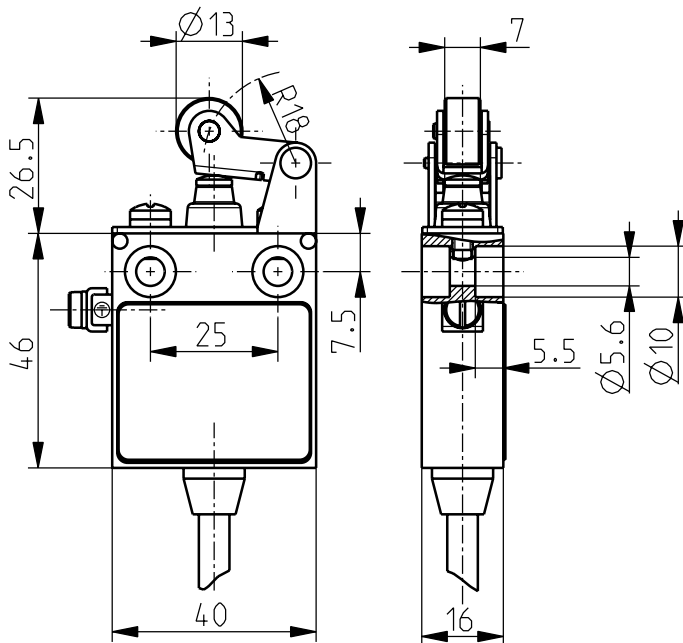
- Ex zone 1 and 21
- Metal enclosure, hard-coated
- Snap action, change-over contact with single break
- Suitable for in-line mounting
- With pre-wired cable
- Actuator: Roller lever with collar WH

- Actuating speed max. 0.5 m/s with a vertical actuating angle of $\alpha = 40^\circ$ and $\beta = 25^\circ$
- Metal roller
- Watertight collar for protection against penetration of dirt
- Attention: Please state required international approvals with your order!

Notes

- Actuation from the left should be avoided since this reduces the mechanical life of the position switch.
- Actuator can be repositioned by 180° on request
- With plastic roller available on request

Dimensions



Technical data

Applied standards	EN 60079-0, EN 60079-1, EN 60079-31, EN 60947-5-1
Enclosure	aluminium die-cast, hard-coated
Degree of protection	IP 65 to IEC/EN 60529
Contact material	silver
Switching system	snap action
Switching elements	1 change-over contact with single break, type C
Connection	pre-wired cable H05VV-F
Cable cross-section	4 x 0.75 mm ² (incl. conductor ferrules)
Cable length	5 m
Rated impulse withstand voltage U_{imp}	4 kV
Rated insulation voltage U_i	250 V
Conventional thermal current I_{the}	5 A
Utilisation category	AC-15; DC-13
Rated operating current/voltage I_e/U_e	5 A/250 VAC; 0.16 A/230 VDC
Short-circuit protection	5 A gG/gN fuse
Ambient temperature	-20 °C ... +60 °C
Mechanical life	> 1 million operations
Operation cycles	max. 1800/h

Errors and omissions excepted.



Ex position switch

Ex 12 WH - 5m

Material number: 1044507 (Material number old: 12714309)

Technical data

Repeat accuracy of switching points ± 0.1 mm

Impact energy max. 7 J

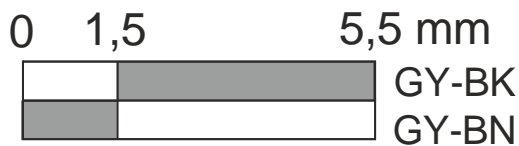
Ex marking
 Ex II 2G Ex db IIC T6 Gb
 Ex II 2D Ex tb IIIC T80 °C Db
 IECEx Ex db IIC T6 Gb
 Ex tb IIIC T80 °C Db

Approvals
 PTB 03 ATEX 1067 X
 IECEx PTB 11.0089X

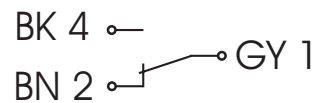


Weight 483 g

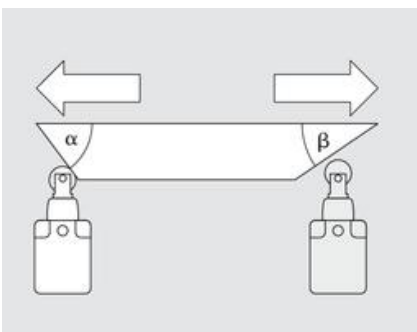
Switching diagram



Contact diagram



Actuating angles



α - Actuating angle from right of switch axis
 β - Actuating angle from left of switch axis as shown in picture