



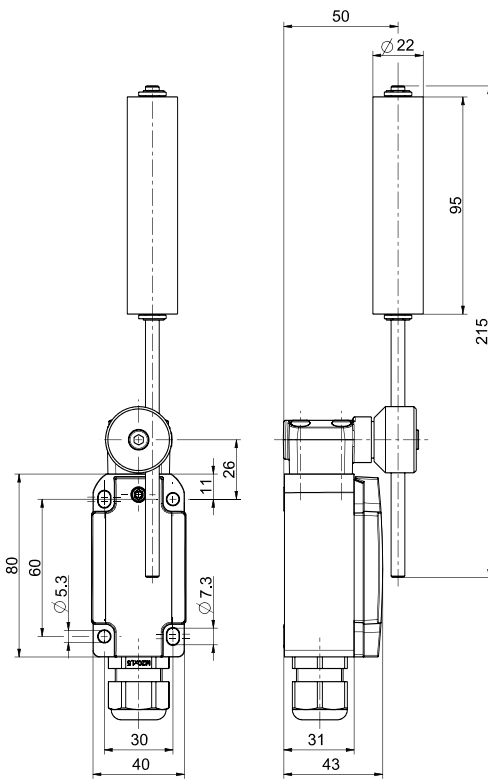
Belt alignment switch Extreme ES 98 SR-11 +90°C IP69 Extreme

Material number: 1190327 (Material number old: 9100319002)

Features/Options:

- Heat-resistant up to +90 °C
- High degree of protection IP 69, IP 69K
- Metal enclosure
- Design to EN 50041
- 2 contacts
- Adjustable-length stainless steel rod lever with nylon roller
- Belt alignment lever adjustable in 13° steps using a self-locking mechanism
- Attention: Please state required international approvals with your order!

Dimensions



Technical data

Applied standards	EN ISO 13849-1, EN 60947-5-1
Enclosure	aluminium die-cast, corrosion-resistant, powder-coated, anthracite grey, similar to RAL 7016
Cover	stainless steel 1.4401, powder-coated, signal yellow, similar to RAL 1003
Sealing	silicone
Degree of protection	IP 66, IP 67, IP 69 (IEC/EN 60529) / IP 69K (ISO 20653)
Contact material	silver
Switching system	slow action
Switching elements	1 NC/1 NO contact, type Zb
Connection	screw connection terminals
Cable cross-section	max. 2.5 mm ² (incl. conductor ferrules)
Rated impulse withstand voltage U_{imp}	4 kV
Rated insulation voltage U_i	250 V
Conventional thermal current I_{the}	6 A
Rated operating current/voltage I_e/U_e	6 A/250 VAC; 0.25 A/230 VDC
Utilisation category	AC-15; DC-13
Short-circuit protection	6 A gG/gN fuse
Ambient temperature	-20 °C ... +90 °C
Mechanical life	> 1 million operations
Operation cycles	max. 1800/h
Repeat accuracy of switching points	± 0.1 mm

Errors and omissions excepted.

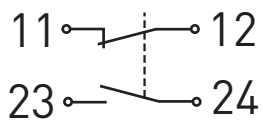


Belt alignment switch Extreme
ES 98 SR-11 +90°C IP69 Extreme
Material number: 1190327 (Material number old: 9100319002)

Technical data

Approvals	ERC
Weight	427 g

Contact diagram



Switching diagram

