

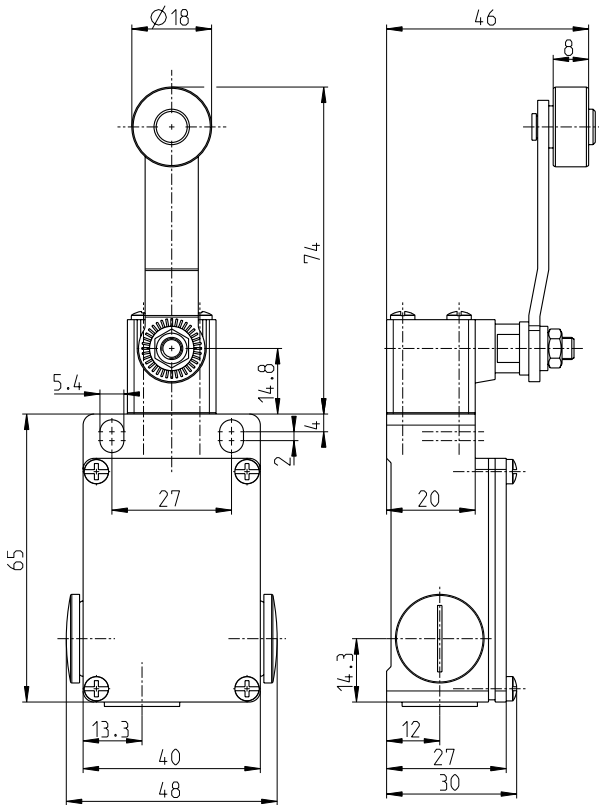


Position switch Extreme
ES 41 DL 1Ö/1S +180°C Extreme
 Material number: 1046340 (Material number old: 41023907)

Features/Options:

- Metal enclosure
- 2 contacts
- 3 cable entries M16 x 1.5
- Heat-resistant up to +180 °C
- Locking screws, brass nickel-plated
- Actuator: Long rocking lever DL
- Actuating speed max. 0.5 m/s with a vertical actuating angle of 45°
- Stainless steel roller
- Lever can be repositioned in 10° steps clockwise or counter-clockwise
- Actuator can be repositioned by 180°
- Attention: Please state required international approvals with your order!

Dimensions



Technical data

Applied standards	EN 60947-5-1
Enclosure	aluminium die-cast, powder-coated
Cover	steel, powder-coated
Degree of protection	IP 65 to IEC/EN 60529
Contact material	silver
Switching system	slow action
Switching elements	1 NC/1 NO contact, type Za
Connection	screw connection terminals
Cable cross-section	max. 2.5 mm ² (incl. conductor ferrules)
Cable entry	3 x M16 x 1.5
Rated impulse withstand voltage U _{imp}	4 kV
Rated insulation voltage U _i	400 V
Conventional thermal current I _{the}	6 A
Utilisation category	AC-15
Rated operating current/voltage I _e /U _e	6 A/400 VAC
Short-circuit protection	6 A gG/gN fuse
Mechanical life	> 1 million operations
Operation cycles	max. 1800/h
Ambient temperature	-20 °C ... +180 °C

Approvals



Errors and omissions excepted.



Position switch Extreme

ES 41 DL 1Ö/1S +180°C Extreme

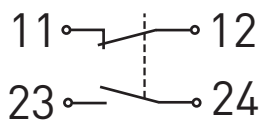
Material number: 1046340 (Material number old: 41023907)

Technical data

Weight

240 g

Contact diagram



Switching diagram

