



## Position switch Extreme with safety function

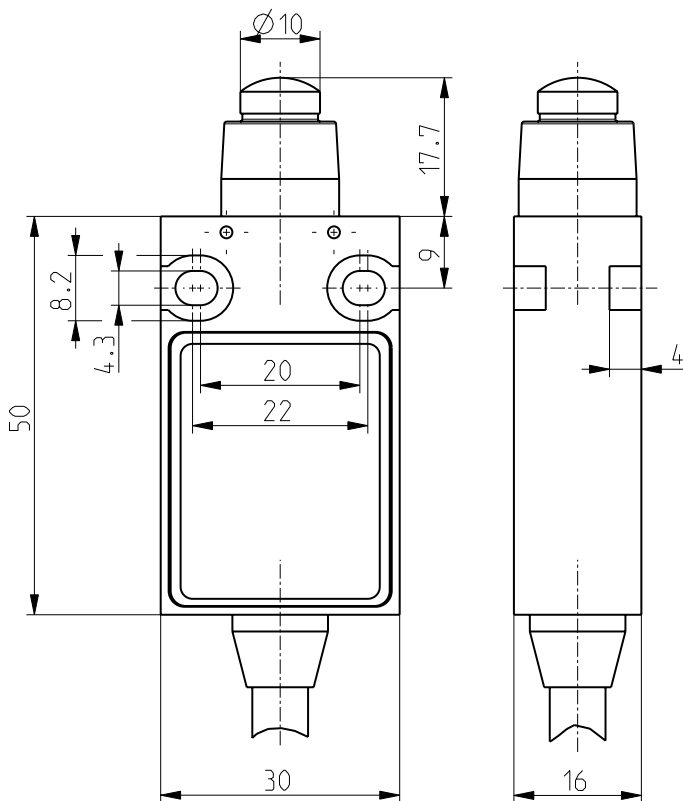
ES 14 W 1Ö/1S - 2m -40°C IP66 Extreme

Material number: 1189396 (Material number old: 14002912)

### Features/Options:

- Cold-resistant down to -40 °C
- High degree of protection IP 66
- Thermoplastic enclosure
- Double insulated
- Slow action , change-over contact with double break
- Mounting details to EN 50047
- Suitable for in-line mounting
- With pre-wired cable
- Actuator: Plunger with collar W
- Actuating speed max. 0.5 m/s with a vertical actuating angle of 0°
- Silicone collar for protection against penetration of dirt
- Attention: Please state required international approvals with your order!

### Dimensions



### Technical data

Applied standards	EN ISO 13849-1, EN 60947-5-1, EN ISO 14119
Enclosure	thermoplastic, glass-fibre reinforced, impact resistant, self-extinguishing UL 94 V-0
Switch type	type 1
Coding level	no coding
Degree of protection	IP 66 to IEC/EN 60529
B <sub>10d</sub> (10 % load)	2 million
T <sub>M</sub>	max. 20 years
Contact material	silver
Switching system	slow action, positive break NC contacts
Switching elements	1 NC/1 NO contact, type Zb
Connection	cable 4 x AWG 20
Cable cross-section	4 x 0.56 mm <sup>2</sup>
Cable length	2 m
Rated impulse withstand voltage U <sub>imp</sub>	4 kV
Rated insulation voltage U <sub>i</sub>	250 V
Conventional thermal current I <sub>the</sub>	6 A
Rated operating current/voltage I <sub>e</sub> /U <sub>e</sub>	6 A/250 VAC; 0.25 A/230 VDC
Utilisation category	AC-15; DC-13
Short-circuit protection	6 A gG/gN fuse
Ambient temperature	-40 °C ... +75 °C

Errors and omissions excepted.

