



Ex position switch with safety function

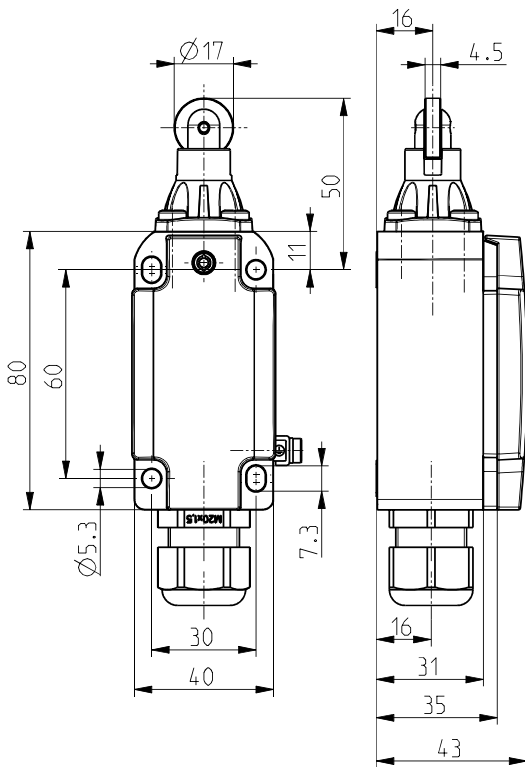
Ex EM 98 R-11 -40°C

Material number: 1442200

Features/Options:

- Ex zone 1 and 21
- Cold-resistant down to -40 °C
- Metal enclosure
- Design to EN 50041
- Wiring compartment
- Actuator: Roller plunger R
- Actuator type C to EN 50041
- Actuating speed max. 0.5 m/s with a vertical actuating angle of 30°
- Actuator can be repositioned by 4 x 90°
- Attention: Please state required international approvals with your order!

Dimensions



Technical data

Applied standards	EN 60947-5-1, EN 60079-0, EN 60079-1, EN 60079-7, EN 60079-31, EN ISO 13849-1, EN ISO 14119
Enclosure	aluminium die-cast, corrosion-resistant, powder-coated, anthracite grey, similar to RAL 7016
Cover	stainless steel 1.4401, powder-coated, signal yellow, similar to RAL 1003
Sealing	silicone
Switch type	type 1
Coding level	no coding
Degree of protection	IP 66 to IEC/EN 60529
B _{10d} (10 % load)	2 million
T _M	max. 20 years
Contact material	silver
Switching system	snap action, positive break NC contacts \ominus
Switching elements	1 NC/1 NO contact, type Zb
Connection	screw connection terminals
Cable cross-section	min. 0,75 mm ² / AWG 18, max. 1,5 mm ² / AWG 16, incl. conductor ferrules
Cable entry	1 x M20 x 1.5 (incl. 1 cable gland)
Clamping range	7 ... 13 mm
Rated impulse withstand voltage U _{imp}	4 kV
Rated insulation voltage U _i	250 V
Rated operating current I _e	max. 4.4 A T6 / max. 6.6 A T5

Errors and omissions excepted.

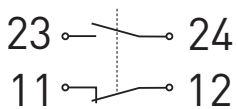


Ex position switch with safety function
 Ex EM 98 R-11 -40°C
 Material number: 1442200

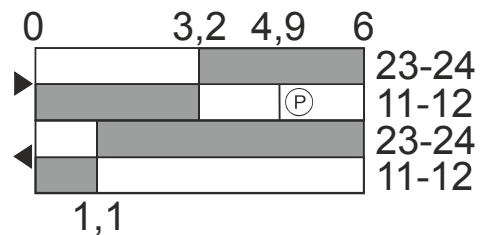
Technical data

Rated operating voltage U_e	max. 250 VAC; 125 VDC
Utilisation category	AC-15; DC-13
Short-circuit protection	4 A / 6 A gG/gN fuse
Ambient temperature	T6: -40° C ... +70° C (max. 4.4 A) T5: -40° C ... +70° C (max. 6.6 A)
Mechanical life	> 1 million operations
Operation cycles	max. 1800/h
Repeat accuracy of switching points	± 0.1 mm
Impact energy	max. 7 J
Ex marking	II 2G Ex db eb IIC T6/T5 Gb, II 2D Ex tb IIIC T80°C/T95°C Db IECEx Ex db eb IIC T6/T5 Gb, Ex tb IIIC T80°C/T95°C Db
Approvals	DMT 01 ATEX E 178 IECEx BVS 07.0014
Weight	340 g

Contact diagram



Switching diagram



Ⓟ Positive break travel/angle