

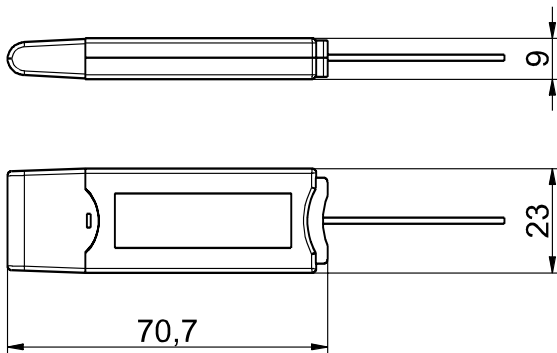


Wireless receiver / repeater RF RxT SW868-USB Material number: 1278188

Features/Options:

- Different operating modes
- USB-Standard Receiver Mode
- USB Gateway Mode
- Sniffer Mode
- Repeater (1-Level and 2-Level Repeater Mode)
- Virtual COM Port driver for Microsoft Windows, Linux, Apple Mac

Dimensions



Technical data

Applied standards	EN 60947-5-1, EN 61000-6-2, EN 61000-6-3, EN 61000-4-2, EN 61000-4-4, EN 61000-4-6, EN 301 489-1, EN 301 489-3, EN 300 220-1, EN 300 220-2
Degree of protection	IP 30 to IEC/EN 60529
Frequency	868.3 MHz (Europe, China)
Voltage supply	via USB interface
Connection	USB 2.0
Receiver mode	40 sWave transmitters
Gateway mode	indefinite number of transmitters
Rated operating current/ voltage I_e/U_e	< 60 mA / 5 VDC (USB interface)
Display	green LED: ready for operation, orange LED: signalling of switching state
Operation cycles	max. 12000 telegrams with repetitions/h
Ambient temperature	0 °C ... +55 °C
Note	no external antenna required
Wireless approvals	Europe: RED 2014/53/EU
Weight	15 g