



## Ex Wireless inductive sensor Ex RF IS M18 nb-ST 2 m Material number: 1282037

### Features/Options:

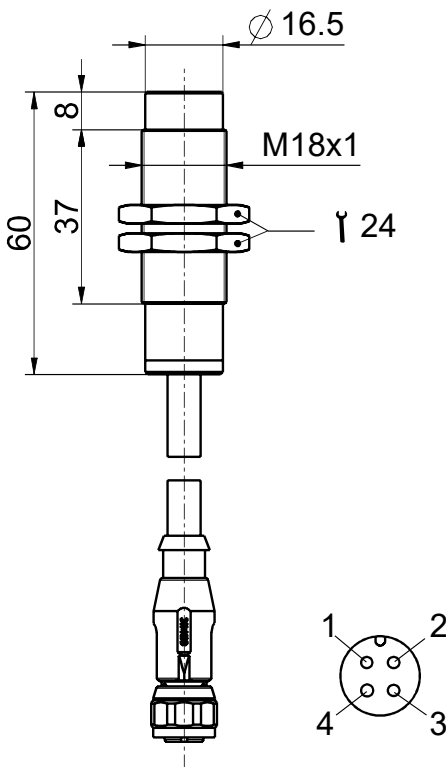
- Ex zone 1 and 21 in combination with [universal transmitter Ex RF 96 ST](#)
- Metal enclosure
- M18 x 1 thread

### Notes

- 2 mounting nuts are included in delivery

- Non-flush mounting
- With M12 coupling, 4-pole

### Dimensions



### Technical data

Applied standards	EN 60947-5-2
Enclosure	brass, nickered
Actuator	steel plate 24 x 24 x 1 mm, FE 360
Front cap	PVC, black
Back cap	PVC, black
Degree of protection	IP 67 to IEC/EN 60529
Connection	Coupling M12 x 1, 4-pole
Cable cross-section	3 x 0.75 mm <sup>2</sup>
Cable length	2 m
Ambient temperature	-20 °C ... +60 °C
Rated insulation voltage $U_i$	75 VDC
Rated operating current $I_e$	0.2 mA
Rated operating voltage $U_e$	3 ... 5 VDC
Rated switching distance $s_n$	8 mm
Assured switching distance $s_a$	0 ... 6.48 mm
Real switching distance $s_r$	7.2 ... 8.8 mm
Hysteresis	approx. 10 %
Repeatability	≤ 5 %
Type of installation	non-flush
Switching frequency	see Ex RF 96 ST
Correction factors	Steel (Fe360) = 1; Stainless steel approx. 0.7; Brass approx. 0.5; Aluminium approx. 0.4; Copper approx. 0.4

Errors and omissions excepted.



Ex Wireless inductive sensor  
Ex RF IS M18 nb-ST 2 m  
Material number: 1282037

## Technical data

Note	The sensor may only be used in combination with an Ex RF 96 ST and is included within the ATEX and IECEx approvals for the wireless Ex universal transmitter.
Ex marking	Ⓔ II 2G Ex ib IIC T4 Gb, Ⓔ II 2D Ex ib IIIC T135 °C Db IECEX Ex ib IIC T4 Gb, Ex ib IIIC T135 °C Db
Approvals	BVS 19 ATEX E 009 X IECEX BVS 19.0040X
Cable	PVC, blue
Weight	194 g

## Contact diagram

