



Emergency pull-wire switch Extreme ZS 71 2Ö/1S WVD / 100N IP69 NIRO Extreme

Material number: 1188475 (Material number old: 71942908)

Features/Options:

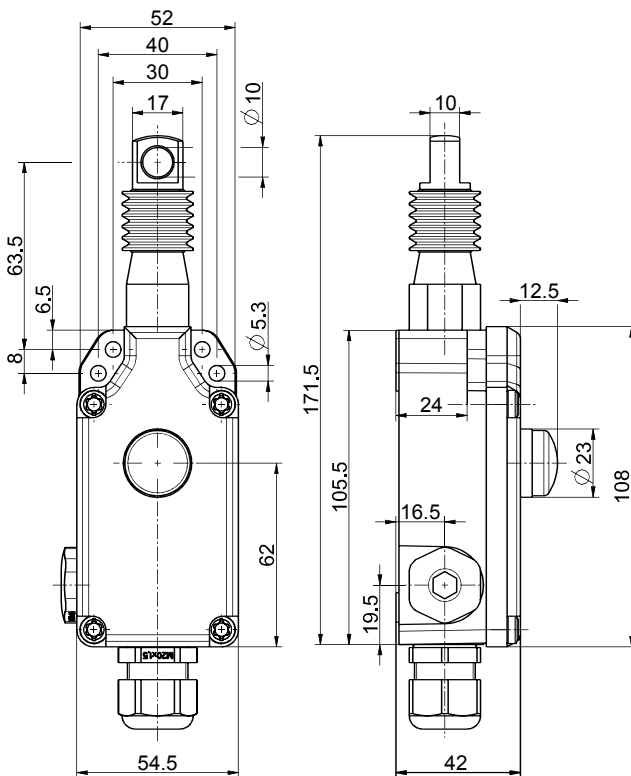
- Version with higher degree of protection IP 69: suitable for cleaning with 80 °C hot water at 100 bar pressure at a distance of 100 mm from different directions
- Pull-wire unit and screws made of stainless steel 1.4305 (NIRO)
- Metal enclosure
- 3 contacts
- Compact design

- Wire length up to 35 m
- Release by push button (VD)
- Watertight collar W for protection against penetration of dirt
- Wire pull and breakage detection
- Attention: Please state required international approvals with your order!

Notes

- 1 cable gland M20x1.5 - IP 69 included in delivery
- At 3 m distance intermediate wire supports are required. One wire thimble is provided.

Dimensions



Technical data

Applied standards	EN 60947-5-1, EN 60947-5-5, EN ISO 13850, EN ISO 13849-1
Enclosure	aluminium die-cast, powder-coated
Cover	thermoplastic, glass-fibre reinforced, impact resistant, self-extinguishing UL 94 V-0
Degree of protection	IP 66, IP 67, IP 69 (IEC/EN 60529) / IP 69K (ISO 20653)
B _{10d} (10 % load)	200 000
T _M	max. 20 years
Contact material	silver
Switching system	snap action, positive break NC contacts \ominus
Switching elements	2 NC/1 NO contact, type Zb
Connection	screw connection terminals
Cable cross-section	max. 2.5 mm ² (incl. conductor ferrules)
Cable entry	2 x M20 x 1.5
Rated impulse withstand voltage U _{imp}	6 kV
Rated insulation voltage U _i	400 V
Conventional thermal current I _{the}	2 A
Utilisation category	AC-15
Rated operating current/voltage I _e /U _e	2 A/250 VAC

Errors and omissions excepted.



Emergency pull-wire switch Extreme ZS 71 2Ö/1S WVD / 100N IP69 NIRO Extreme

Material number: 1188475 (Material number old: 71942908)

Technical data

Short-circuit protection 2 A gG/gN fuse

Ambient temperature -25 °C ... +70 °C

Mechanical life > 100 000 operations

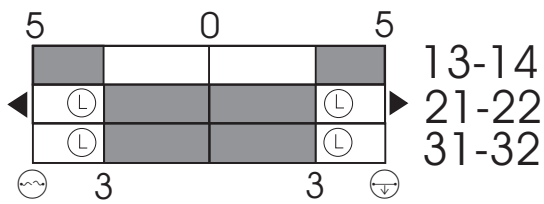
Max. wire length 35 m

Approvals



Weight 408 g

Switching diagram



- Latching point
- Wire breakage detection
- Wire pull detection

Contact diagram

