



Ex position switch with safety function

Ex 355 1K 2Ö

Material number: 1178641 (Material number old: 92513301)

Features/Options:

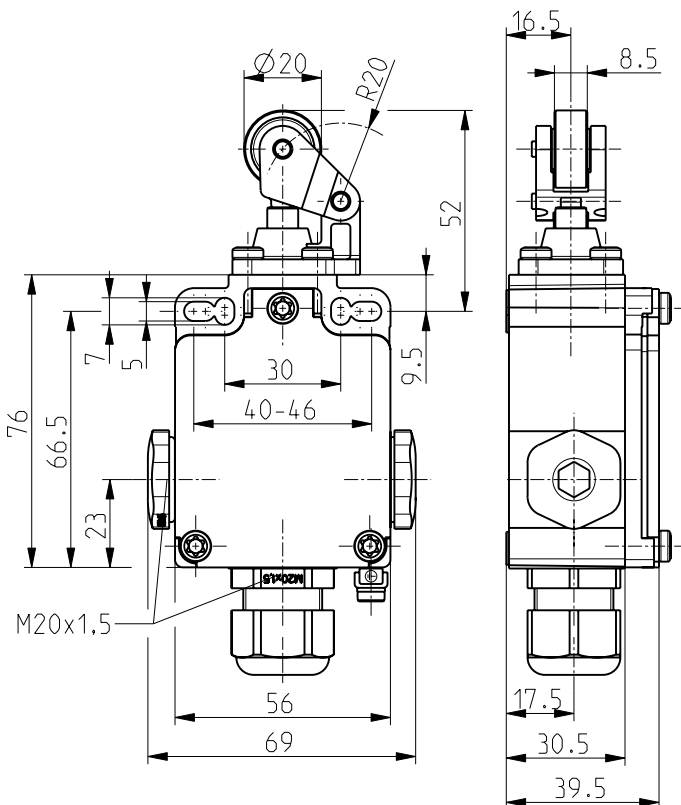
- Ex zone 1 and 21
- Metal enclosure
- Mounting and switching details to EN 50041
- Wiring compartment
- 3 cable entries
- Actuator: Roller lever 1K
- Actuating speed max. 0.5 m/s with a vertical actuating angle of 30°

- Actuation parallel to switch from right
- Wear-resistant plastic roller
- Actuator can be repositioned by 4 x 90°
- Attention: Please state required international approvals with your order!

Notes

- Actuation from the left should be avoided since this reduces the mechanical life of the position switch.

Dimensions



Technical data

| | |
|--|---|
| Applied standards | EN 60947-5-1, EN 60079-0, EN 60079-1, EN 60079-7, EN 60079-31, EN ISO 13849-1, EN ISO 14119 |
| Enclosure | zinc die-cast, enamel finish |
| Switch type | type 1 |
| Coding level | no coding |
| Degree of protection | IP 67 to IEC/EN 60529 |
| B _{10d} (10 % load) | 2 million |
| T _M | max. 20 years |
| Switch insert | 1 x Ex 95 |
| Contact material | silver |
| Switching system | slow action, positive break NC contacts \ominus |
| Switching elements | 2 NC contacts, type Zb |
| Connection | screw connection terminals |
| Cable cross-section | max. 1.5 mm ² (incl. conductor ferrules) |
| Cable entry | 3 x M20 x 1.5 (incl. 1 cable gland) |
| Clamping range | 7 ... 12 mm |
| Rated impulse withstand voltage U _{imp} | 4 kV |
| Rated insulation voltage U _i | 250 V |
| Conventional thermal current I _{the} | 6 A |

Errors and omissions excepted.



Ex position switch with safety function

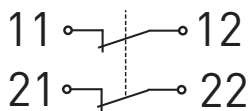
Ex 355 1K 2Ö

Material number: 1178641 (Material number old: 92513301)

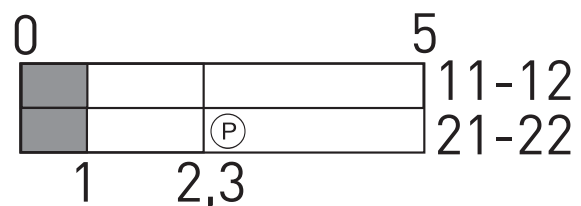
Technical data

| | |
|---|---|
| Rated operating current/ voltage I_e/U_e | 6 A/250 VAC; 0.25 A/230 VDC |
| Utilisation category | AC-15; DC-13 |
| Short-circuit protection | 6 A gG/gN fuse |
| Ambient temperature | T6: -20 °C ... +40 °C; T5: -20 °C ... +60 °C |
| Mechanical life | > 1 million operations |
| Operation cycles | max. 1800/h |
| Repeat accuracy of switching points | ± 0.1 mm |
| Contact opening | max. 2 x 3.5 mm |
| Impact energy | max. 7 J |
| Ex marking | ⊕ II 2G Ex db e IIC T6/T5 Gb, ⊕ II 2D Ex tb IIIC T80 °C/T95 °C Db IECEX Ex db e IIC T6/T5 Gb, Ex tb IIIC T80 °C/T95 °C Db |
| Approvals | BVS 04 ATEX E 126 IECEX BVS 07.0013 |
| Weight | 455 g |

Contact diagram



Switching diagram



Ⓟ Positive break travel/angle