



Wireless magnetic sensor RF RC M30 SW868 NIRO Material number: 1363715

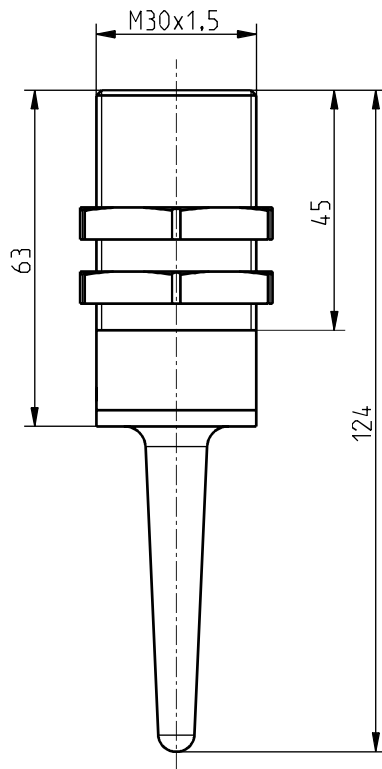
Features/Options:

- Stainless steel enclosure
- sWave® wireless technology
- Power supply by Lithium battery
- No wiring and pipe laying required
- Easy programming of receiver
- Output signal can be individually configured at the receiver

Notes

- 2 mounting nuts are included in delivery
- The actuator is not included in the delivery of the switches

Dimensions



Technical data

Applied standards	EN 60947-5-1, EN 61000-6-2, EN 61000-6-3, EN 301 489-1, EN 301 489-3, EN 300 220-2
Enclosure	stainless steel 1.4539
Tightening torque	mounting nut: max. 75 Nm
Degree of protection	IP 67 to IEC/EN 60529
Protocol	sWave®
Frequency	868.3 MHz (Europe, China)
Transmission power	< 25 mW
Data rate	66 kbps
Channel bandwidth	480 kHz
Voltage supply	lithium battery CR 2032 (replaceable)
System	Lithium-MnO ₂
Nominal voltage	3 V
Nominal capacity	0.23 Ah
Battery life	depending on the switching frequency sensor mainly not activated 10 s - 1.1 years; 100 s - 5.0 years; 1000 s - 7.6 years; without - 8.0 years sensor mainly activated 10 s - 0.9 years; 100 s - 2.7 years; 1000 s - 3.4 years; without - 3.4 years
Type of installation	flush, in not ferromagnetic material
Ambient temperature	-20 °C ... +65 °C
Switching system	reed contact
Switching elements	1 NO contact

Errors and omissions excepted.



Wireless magnetic sensor
RF RC M30 SW868 NIRO
Material number: 1363715

Technical data

Rated switching distance s_n	M 100: 15 mm; M 30 Niro: 30 mm
Hysteresis	< 1 mm
Operation cycles	max. 12000 telegrams with repetitions/h
Switching frequency	max. 5 Hz
Standby current	< 2 μ A (< 5 μ A activated)
Wireless range	max. 450 m outdoors, max. 40 m indoors
Mechanical life	> 1 million operations
Actuating time	min. 80 ms
Note	status signal configurable ex works, transmission of battery voltage and switching condition
Wireless approvals	Europe: RED 2014/53/EU
Weight	154 g